

HI SHARP Brand Series

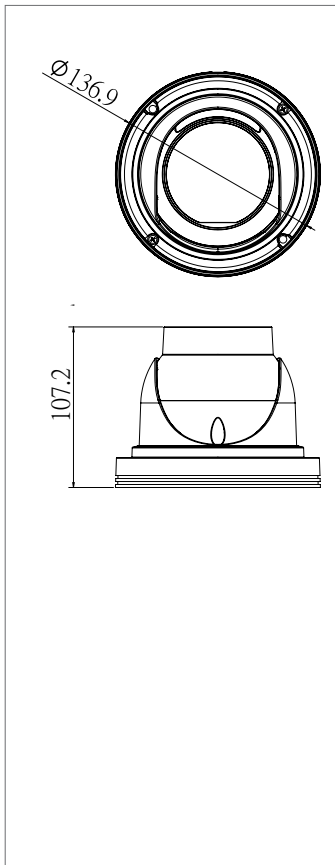
HS-4IN1-D106DH

Product Features

- High video quality on HD 5MP
- HD video transmission without video quality loss & delay
- Long transmission distance
- The same connection structure as original analogue system without cable (Coax / UTP) changing
- VF 2.8 ~ 12 mm
- 2DNR
- Support CoC (UTC) to operate OSD menu
- Transmits audio over the coaxial cable (TVI mode)



Dimension (mm)



Specifications

Model	HS-4IN1-D106DH
Pick Up device	1/2.5" CMOS : 5.0 Mega
Solution	TP3815 + JX-K05
Resolution	2592(H) x 1944(V)
Video Output	AHD / CVBS / TVI / CVI
S/N Ratio	More than 60 dB
Min. Illumination	0.01Lux
Lens	VF 2.8 ~ 12 mm
Camera Control	CoC
Electronic Shutter	Auto 1/60 (1/50) ~ 1/100,000 sec
IR Distance	30M
WDR	Yes
DNR	2DNR
Maximum FPS	30fps(NTSC) / 25fps(PAL)
Audio line in	Built-in MIC × 1
Audio line out	Support audio over coaxial (TVI mode) not support 3.5mm AUX line out
Power Source	DC12V ± 10% / 1A
Operating Temperature	-10° C ~ 50° C (14° F ~ 122° F)
Dimension (mm)	Φ136.9 × 107.2
Ingress Protection	IP68