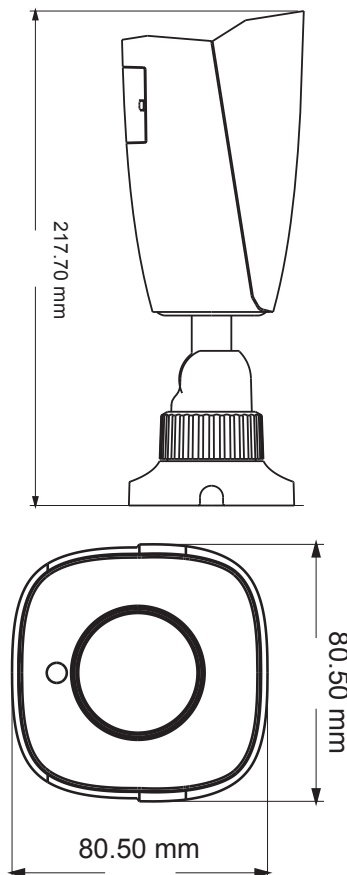




IP CAMERA HS-T058SJ-A



- H.265 / H.264 / MJPEG
- 5MP (2592 × 1944)
- 30 ~ 50 M IR night view distance
- 3 DNR,WDR
- ICR auto switch, true day / night
- Support ROI coding
- Support smart phone, iPad, remote monitoring
- IP67 ingress protection
- PoE power supply
- Intelligent analytics: Exception, Line Crossing, Intrusion

RoHS CE FC





HS-T058SJ-A

Camera	
Image Sensor	1 / 2.7" CMOS
Image Size	2592 × 1944
Electronic Shutter	1 / 25 s ~ 1 / 100000 s
Min. Illumination	0.0236 lux @F2.0, AGC ON; 0 lux with IR
Lens	EVF 2.8~12mm @F1.4
Horizontal view Angle	90.5° ~ 32.9°
IR Distance	30~50 m
WDR	Digital WDR
Day & Night	ICR auto switch
BLC	YES
HLC	YES
Defog	YES
Digital DNR	3 DNR
Image	
Video Compression	H.265 / H.264
H.265 Compression Standard	Main Profile@Leve4.1 High Tier
Resolution	5MP (2592 × 1944) , 4MP (2592 × 1520), 2K (2560 × 1440) , 3MP (2304 × 1296) , 1080P(1920 × 1080) , 720P (1280 × 720) , D1 (704 × 480), 480 × 240, CIF (352 × 240)
Main Stream (S1)	5MP @20fps 4MP / 1080P / 720P @30fps
Sub Stream (S2)	720P @15fps D1 / CIF @30fps
Third Stream (S3)	D1 / 480 × 240 / CIF @30fps
Bit Rate	64 Kbps ~ 5 Mbps
Bit Rate Type	VBR / CBR
Image Settings	ROI, Saturation, Brightness, Chroma, Contrast,Wide Dynamic, Sharpen,NR,etc. adjustable through client software or web browser
ROI	Each ROI to be configured separately
Audio	
Audio Compression	-
Two-way audio	-
Interfaces	
Network	RJ45
Video Output	-
Audio line in	-
Audio line out	-
Alarm Input	-
Alarm Output	-
Storage	
SD card	-
Network remote storage	Yes
Hardware Reset	-

Functions		
Remote Monitoring	Web browsing,CMS remote control	
Online Connection	Support simultaneous monitoring for up to 4 users Support multi-stream real time transmission	
Network Protocol	IPv4, IPv6, DHCP, NTP, RTSP, PPPoE, DDNS, SMTP, FTP, SNMP, HTTP, 802.1x, UPnP, HTTPs, QoS	
Interface Protocol	ONVIF, GB-T / 28181 - 2011	
Smart Alarm	Motion detection	
Intelligent Analytics	Exception, Line Crossing, Intrusion	
General function	Watermark, video mask, heartbeat, password protection	
PoE	Yes, IEEE802.3 af	
Others		
Power Supply	DC12V / PoE	
Power Consumption	< 9W	
Operating Environment	- 30 ° C ~ 60 ° C (-22° F~140° F) Humidity: less than 95 % (non-condensing)	
Dimensions	Φ 217.7× 80.5 × 80.5 mm	
Weight	Approx. 650g	
Installation	Ceiling mounting (wall mounting available with the junction box and bracket)	
Ingress Protection	IP67	
Accessories		
		
B627	B640	B639
		
B615	B616	B628