

HI SHARP Brand Series

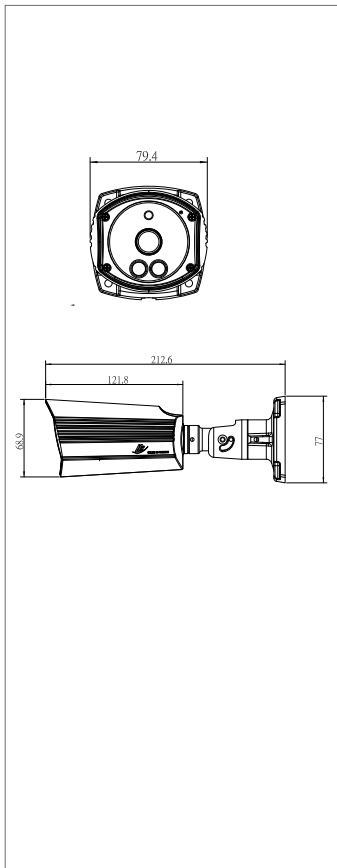
HS-6IN1-T089B7

Product Features

- High video quality on HD 5MP
- HD video transmission without video quality loss & delay
- Long transmission distance
- The same connection structure as original analogue system without cable (Coax / UTP) changing
- Board Lens: 4 mm / 6 mm
- 2D DNR
- Support CoC (UTC) to operate OSD menu



Dimension (mm)



Specifications

Model	HS-6IN1-T089B7
Pick Up device	1/2.8" SONY CMOS : 5.0 Mega
Solution	SONY 335 + FH8538M
Resolution	2592(H) x 1944(V)
Video Output	AHD / CVBS / TVI / CVI
S/N Ratio	More than 50 dB
Min. Illumination	0.1Lux
Lens	Board 4 mm / 6 mm
Camera Control	CoC
Electronic Shutter	Auto 1/60 (1/50) ~ 1/50,000 sec
IR Distance	20M
D-WDR	Yes
DNR	2D DNR
Maximum FPS	30fps(NTSC) / 25fps(PAL)
Power Source	DC12V ± 10% / 1A
Operating Temperature	-20° C ~ 60° C (-4° F ~ 104° F)
Dimension (mm)	212.6 × 79.4 × 77
Ingress Protection	IP68