

# HI SHARP Brand Starlight Series

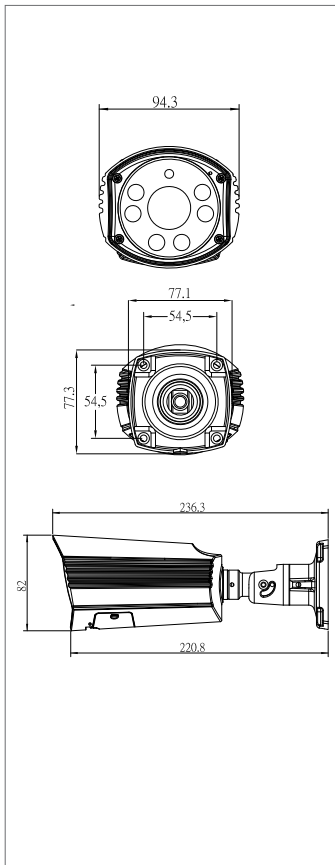
## HS-4IN1-T090DL

### Product Features

- High video quality on HD 1080P
- HD video transmission without video quality loss & delay
- Long transmission distance
- The same connection structure as original analogue system without cable (Coax / UTP) changing
- Vari-focal Lens: 2.8 mm~12 mm
- 2DNR
- Support CoC (UTC) to operate OSD menu
- Starlight illumination



### Dimension (mm)



### Specifications

Model	HS-4IN1-T090DL
Pick Up device	1/2.8" SONY CMOS : 2.0 Mega
Solution	NVP2441+SONY307
Resolution	1920(H) x 1080(V)
Video Output	AHD / CVBS / TVI / CVI
S/N Ratio	More than 55 dB
Min. Illumination	0.01Lux
Lens	VF 2.8 mm~12 mm
Camera Control	CoC
Electronic Shutter	Auto 1/60 (1/50) ~ 1/100,000 sec / FLK
IR Distance	30M
WDR	Yes
DNR	2DNR
Maximum FPS	30fps(NTSC) / 25fps(PAL)
Power Source	DC12V ± 10% / 1A
Operating Temperature	-10° C ~ 50° C (14° F ~ 122° F)
Dimension (mm)	236.3 x 94.3 x 82
Ingress Protection	IP67