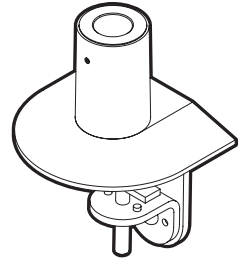


Innovative Ergonomic Solutions companies

# FLEXMOUNT® 8318

## Installation Instructions



### Desk Clamp

- 1
- 2
- 3

### Thru-Desk

8318-CUP	8318-THRU

### Wall Mount

- 1 \* Hardware not included.
- 2

### Reverse Wall Mount

8318-WALL

- 1 \* Hardware not included.
- 2

### Grommet Hole

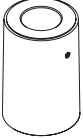
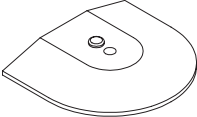
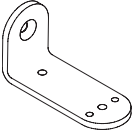
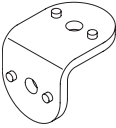
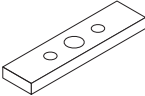
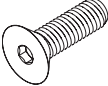

- 1
- 2
- 3


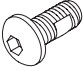
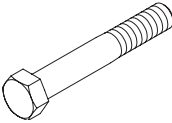
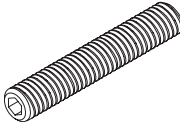
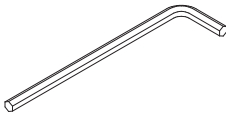

### Side Bolt

- 1
- 2 \* Hardware not included.

# FLEXMOUNT® 8318

## Parts List

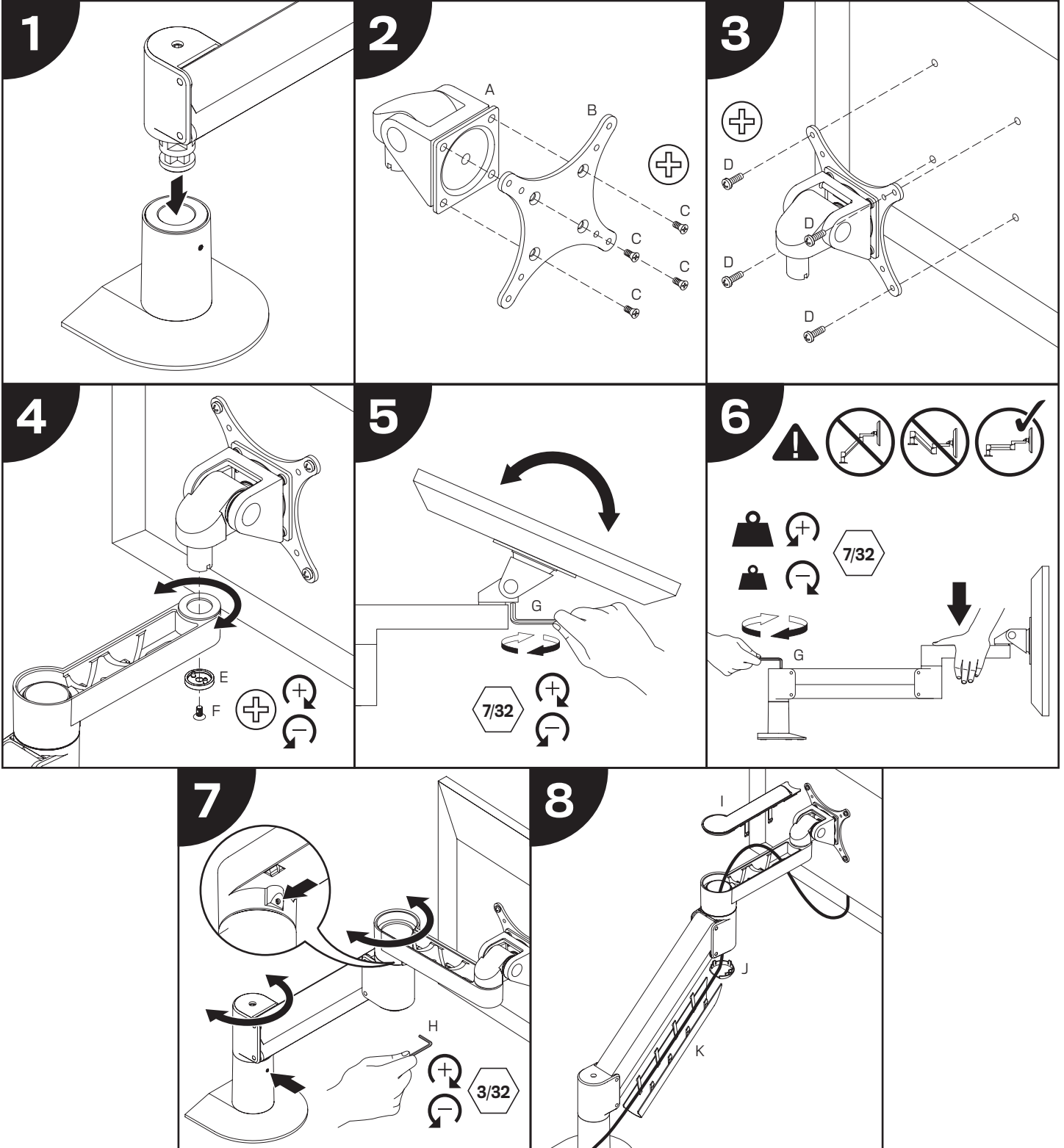
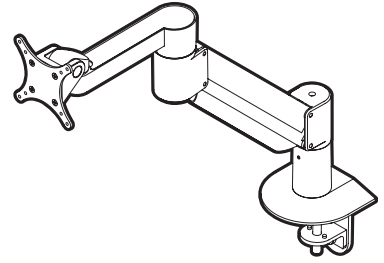
ITEM QUANTITY	DESCRIPTION / PART NO.
A 	<b>Mount Column</b> 407602      1
B 	<b>Base Plate</b> 8321      1
C 	<b>Large "L" Bracket</b> 702828      1
D 	<b>Small "L" Bracket</b> 111728      1
E 	<b>Rectangular Spacer</b> 701544      1
F 1 	<b>3/8-16 x 1-1/4" Flat Socket Cap Screw</b> 701855
G 	<b>3/8-16 x 1/2" BHSCS</b> 702898      1

ITEM QUANTITY	DESCRIPTION / PART NO.
H 	<b>3/8-16 Nylon Stop Nut</b> 701418      1
I 	<b>3/8-16 x 7/8" Button Socket Cap Screw</b> 701122      1
J 	<b>3/8-16 x 2-1/2" Hex Head Bolt</b> 700268      1
K 	<b>1/2-13 x 3" Socket Set Screw</b> 701126      1
L 	<b>7/32" Allen Wrench</b> 701127      1
M 	<b>3/32" Allen Wrench</b> 700146      1

Innovative Ergonomic Solutions companies

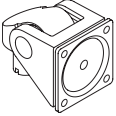
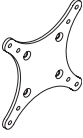

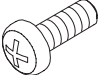
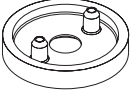

# MODEL 7500

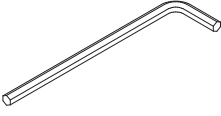

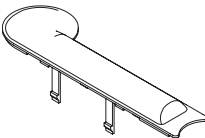
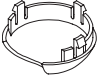
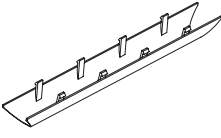
## Installation Instructions



# MODEL 7500

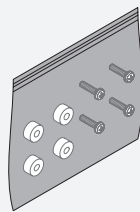
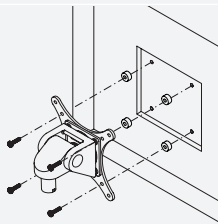
## Parts List

ITEM	DESCRIPTION / PART NO.	QUANTITY
A	 <b>Spring-Assisted Monitor Tilter</b> 407747	1
B	 <b>75/100mm VESA Adapter Plate</b> 105587	1
C	 <b>10-32 x 3/8" Phillips Flat Head Screw</b> 702281	1 (4-pack)
D	 <b>M4 x 12mm Phillips Pan Head Screw</b> 702096	1 (4-pack)
E	 <b>Dog Washer</b> 105189	1
F	 <b>10-32 x 3/8" FPhMS w/Lock Patch</b> 705198	1

ITEM	DESCRIPTION / PART NO.	QUANTITY
G	 <b>7/32" Allen Wrench</b> 701127	1
H	 <b>3/32" Allen Wrench</b> 700146	1
I	 <b>Forearm Cap</b> 111900	1
J	 <b>Endcap Bumper</b> 702829	1
K	 <b>Cable Cap</b> 109344	1

### OPTIONAL SPACER KITS

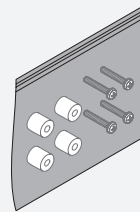
In some cases, the mounting surface on your monitor may be recessed further than permitted by VESA® standards. As a result, a spacer kit may be required.



#### .25" Spacer Hardware Kit

- (4) .25" Spacers
- (4) M4 x 18mm Phillips Pan Head Screws

Order # P404923-B



#### .5" Spacer Hardware Kit

- (4) .5" Spacers
- (4) M4 x 25mm Phillips Pan Head Screws

Order # P404923-C

# How do I counterbalance my arm?

## 1

7/32

**IMPORTANT!**

- Monitor must be on arm
- Arm must be in mount

Press the arm down to **approximately parallel** with the desk prior to turning the strength adjustment screw.

If the arm **drifts upward**, turn the adjustment screw clockwise.

If the arm **drifts downward**, turn the adjustment screw counter-clockwise.

Depending on the weight of your monitor, **you may have to make 15-20 turns.**

## 2

3/32

**In some instances**, further counterbalance adjustments are needed to allow the arm's instant height adjustment function to work properly.

If your arm is not staying in position after performing step 1, follow these steps:

With arm in raised position, tighten set screw **(A)**.

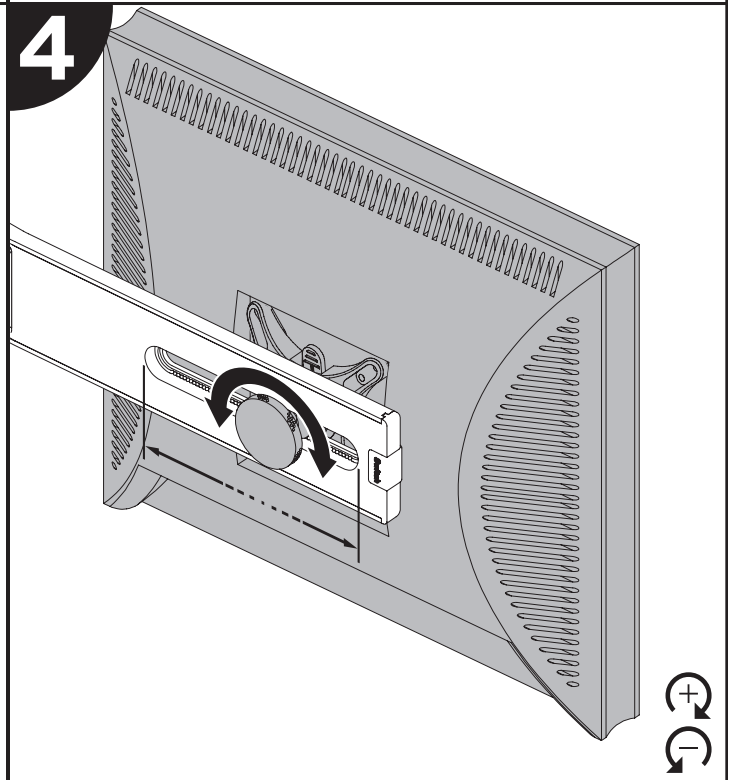
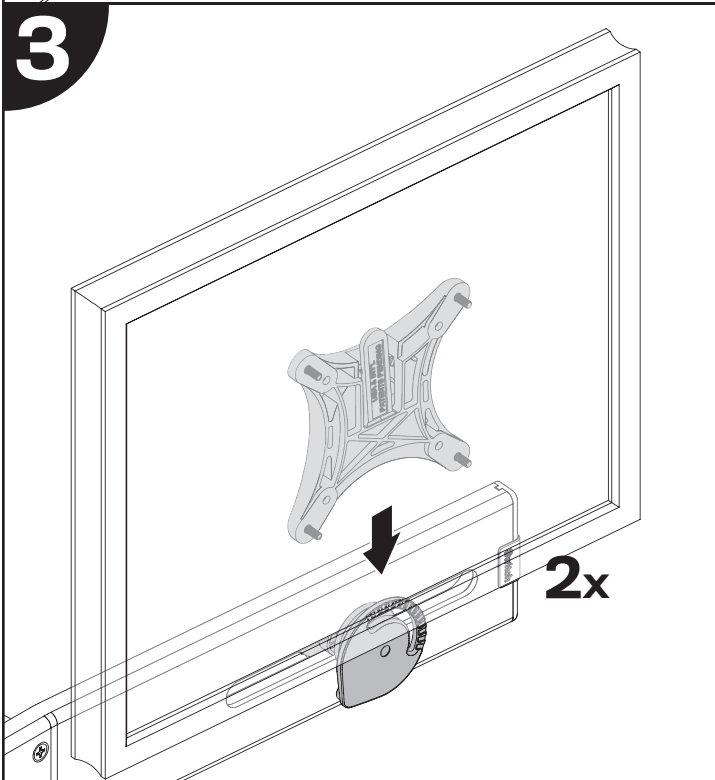
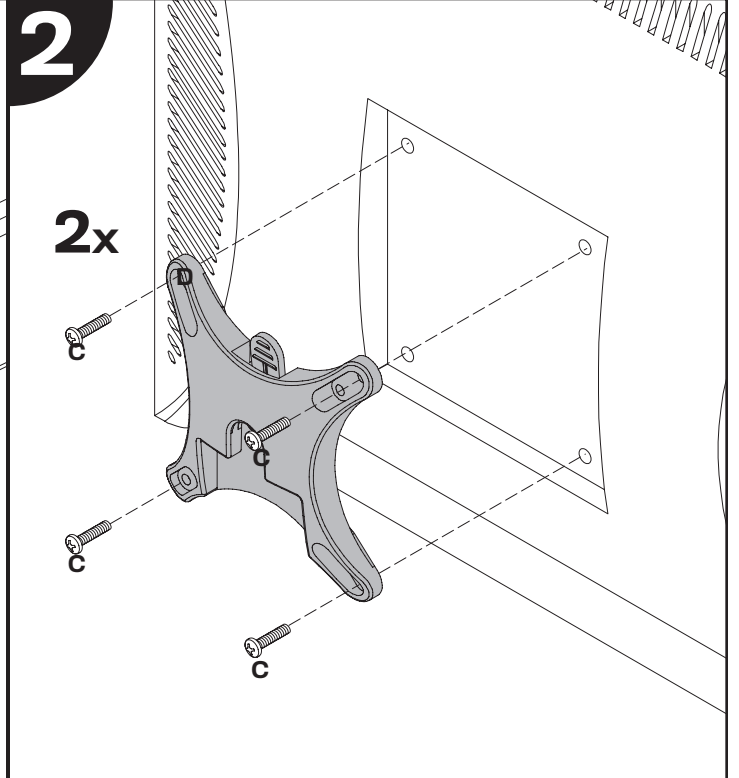
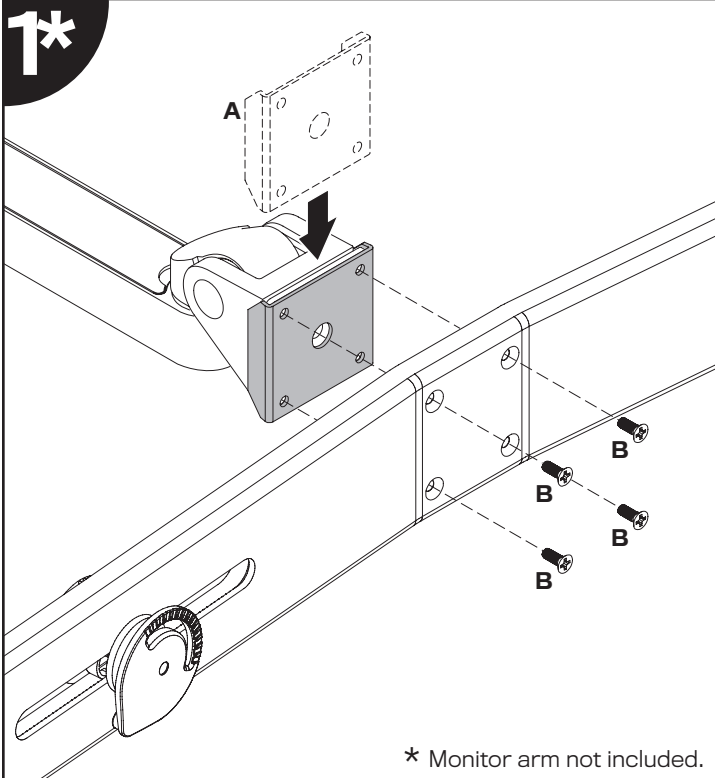
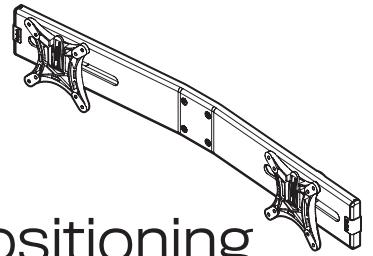
With arm in horizontal position, tighten set screw **(B)**.

**Do not over tighten screws.**

Innovative Ergonomic Solutions companies

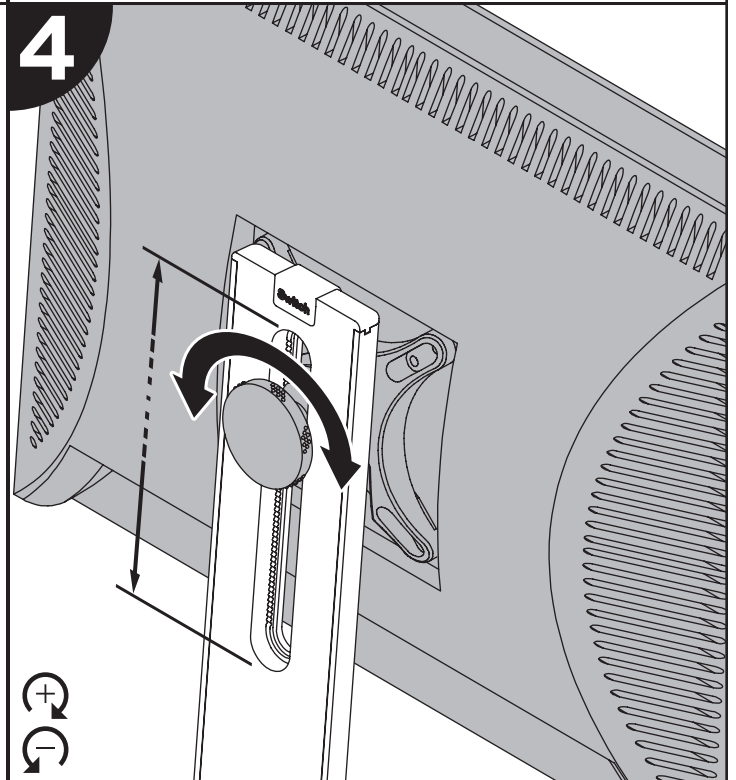
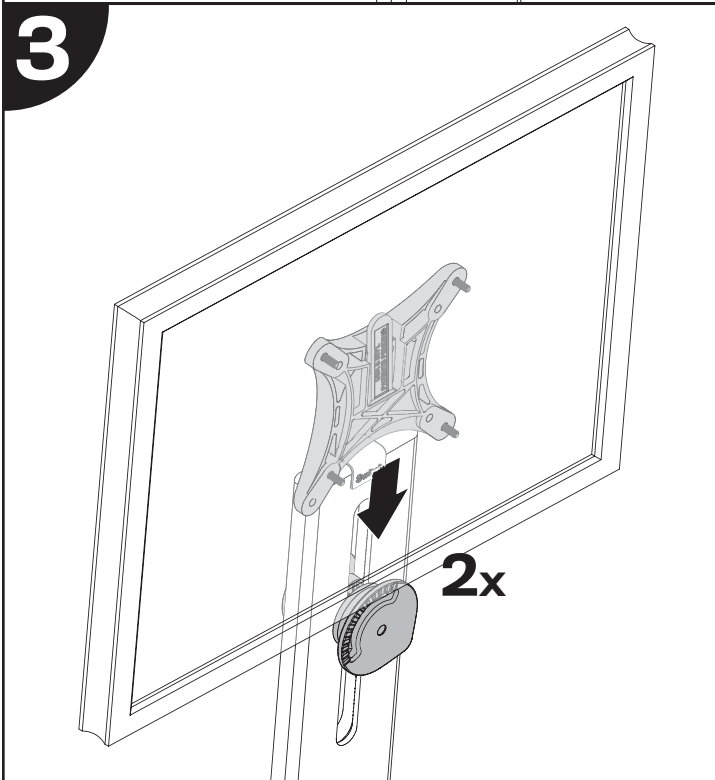
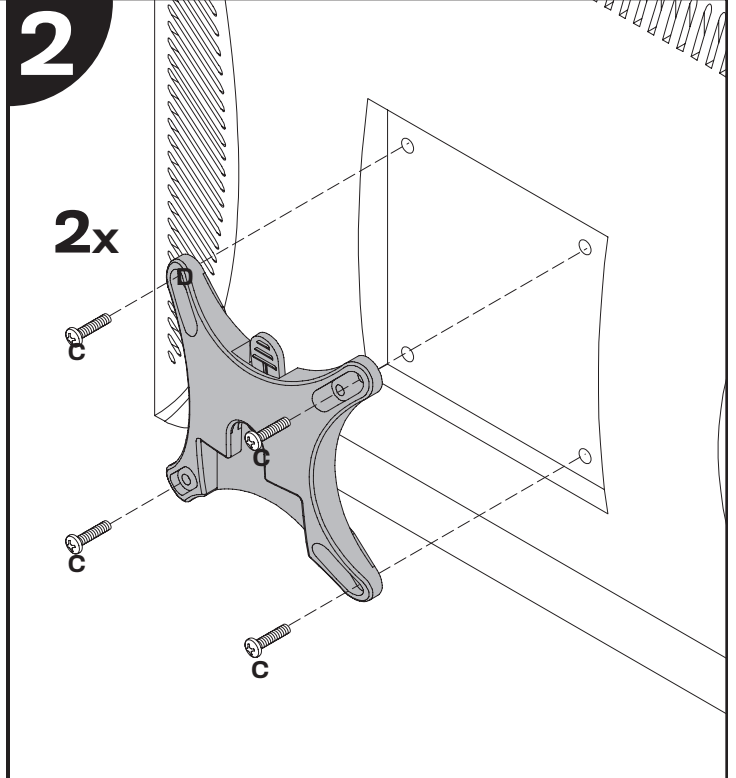
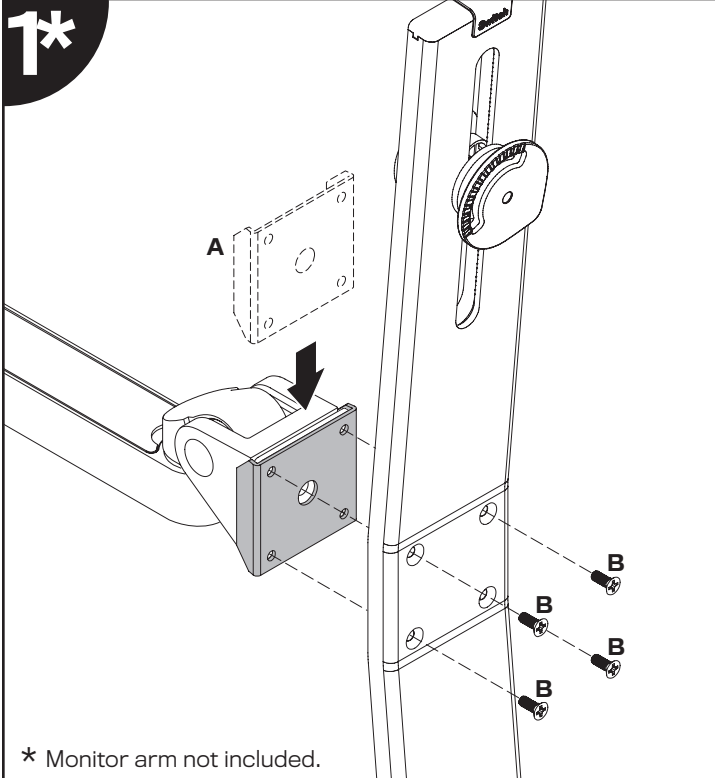
# SWITCH™

## Installation Instructions | Horizontal Positioning



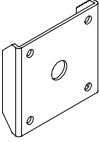
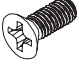
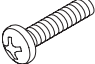
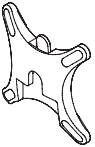
# SWITCH™

## Installation Instructions | Vertical Positioning



# SWITCH™

## Parts List

ITEM	DESCRIPTION / PART NO.	QUANTITY
A 	<b>Rotation Prevention Bracket</b> 106271	<b>1</b>
B 	<b>10-32 x 1/2" FPhMS</b> 709129	<b>4</b>
C 	<b>M4 x 12mm Pan Head Screw</b> 701153	<b>8</b>
D 	<b>75/100mm VESA® Adapter</b> 109464	<b>2</b>