

Industrial Managed Ethernet Switch

JetNet 5208G/JetNet 5208G-2F Series



Korenix JetNet 5208G Series, the DIN-Rail type industrial Gigabit Managed Switch. The two uplink ports provide high speed connection with higher level backbone switches with Korenix MSRT™ network redundancy technology, while ensuring the reliability of data transfer through the exclusive recovery time in several milliseconds and seamless restoration.

JetNet 5208G series is designed for operating reliably under harsh environments, it supports one alarm relay to indicate fault conditions when any link or power failure happens, as a result, users can quickly handle the emergency and shorten the failover time. With IEC 61000-6-2 / 61000-6-4 Heavy Industrial EMC and Trackside certification design, including robust enclosure and -40-75°C wide operating temperature range, JetNet 5208G series ensures high performance under traffic control systems and other Network applications.



Layer 2



Dual Power



Heavy Industrial



Wide Temp



EN50121-4

Overview

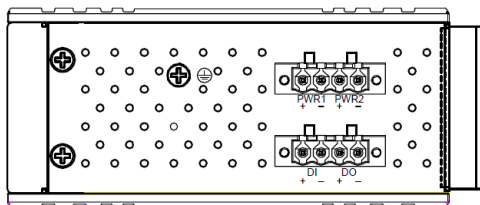
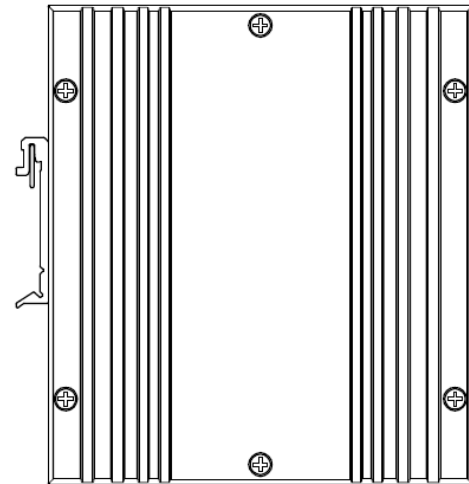
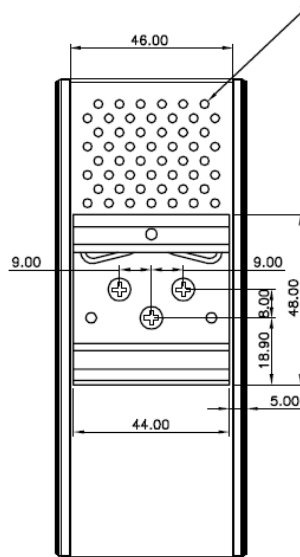
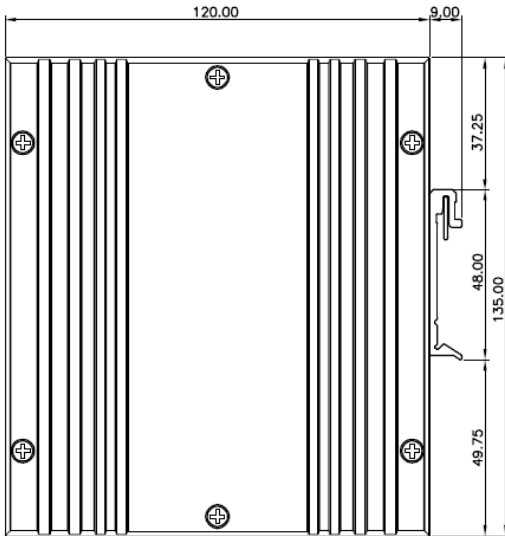
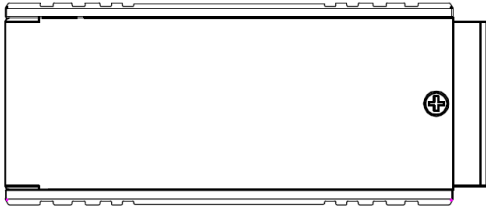
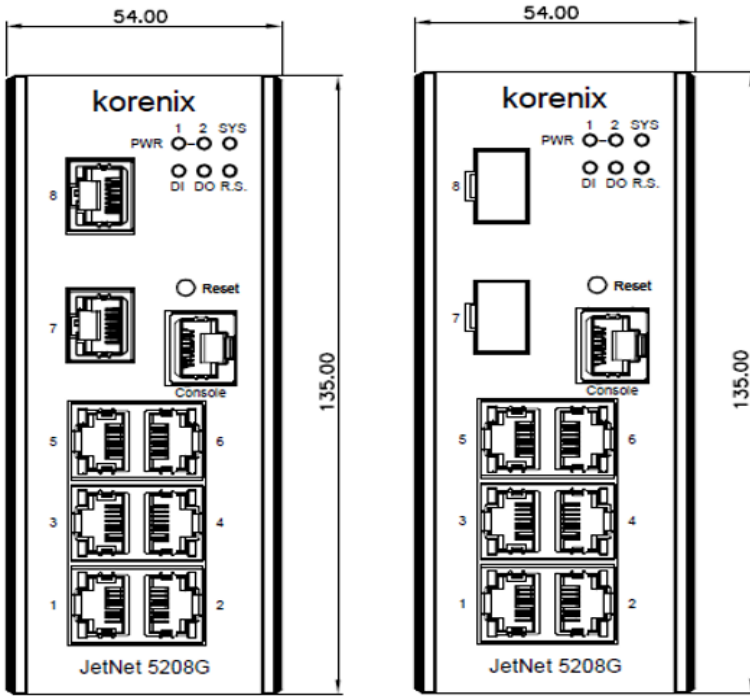
- ▶ 8 10/100/1000 Base TX ports (JetNet5208G) or 6 10/100/1000 Base TX ports + 2 Gigabit SFP(JetNet5208G-2F Series)
- ▶ Network Redundancy - MSR (Multiple Super Ring), RSTP, MSTP
- ▶ Fully Device Management - SNMP v1/v2c/v3, RMON, Web UI, Telnet and Local Console
- ▶ Friendly Device and Network Topology recovery utility - Korenix View
- ▶ Layer 2 Network Performance - IEEE802.1Q VLAN, Trunk, Packet Filtering, DHCP Server/Client, Traffic Prioritize, Rate Control
- ▶ Advanced Security system by Port Security, Access IP list, SSH, TACACS+
- ▶ Event Notification through SNMP trap and SysLog
- ▶ IEEE 802.1AB LLDP for auto-topology and group management
- ▶ Cisco-Like CLI, Web, SNMP/RMON for network management
- ▶ Multiple event relay output for enhanced device alarm control
- ▶ Hi-Pot Isolation Protection for ports and power
- ▶ Railway Track Side EN50121-4 Certification
- ▶ Dual 10-60VDC Power input
- ▶ -40-75°C Wide Operating Temperature

Specification

Technology	
IEEE Standards	IEEE 802.3 10 Base-T Ethernet IEEE 802.3u 100 Base-TX Fast Ethernet IEEE 802.3u 100 Base-FX Fast Ethernet Fiber IEEE 802.3ab 1000 Base-T IEEE 802.3z Gigabit Fiber IEEE 802.3x Flow Control and Back-pressure IEEE 802.1AB Link Layer Discovery Protocol (LLDP) IEEE 802.1p Class of Service (CoS) IEEE 802.1Q VLAN and GVRP IEEE 802.1 QinQ IEEE 802.1D-2004 Rapid Spanning Tree Protocol (RSTP) IEEE 802.1s Multiple Spanning Tree Protocol (MSTP) IEEE 802.3ad Link Aggregation Control Protocol (LACP) IEEE 802.1x Port Based Network Access Protocol
Performance	
Switch Technology	Store and Forward Technology with 16 Gbps Switch Fabric
System Throughput	29.7Mega packet per second
CPU performance	MIPS-4KEc CPU running at 500 MHz
System Memory	32M Bytes flash ROM, 256M Bytes DDR3 SDRAM
Transfer packet size	64 bytes to 10K bytes Jumbo Frame
MAC Address	8K MAC address table
Packet Buffer	4.1Mbit SRAM packet memory
Forwarding performance	14,880 pps for Ethernet and 148,800 pps for Fast Ethernet, 1488,100 pps for Gigabit Ethernet
Interface	
Enclosure Port	<ul style="list-style-type: none"> • 10/100/1000 Mbps Ethernet port: <ul style="list-style-type: none"> - 8 x RJ-45 (JetNet5208G) - 6 x RJ-45 (JetNet5208G-2F Series) • 100Mbps / 1000Mbps Fiber port : <ul style="list-style-type: none"> - 2 x SFP Socket (JetNet5208G-2F) • RS-232 Console port : 1 x RJ-45 for system configuration • Digital Input / Relay Output port: 4-Pin removable terminal block connector • Power input port: 4-Pin removable terminal block connector
Ethernet Cable	100 Base-TX: 2-pair UTP/STP Cat. 5e/6 cable, EIA/TIA-568B 100-ohm (100m) 1000 Base-TX: 4-pair UTP/STP Cat. 5e/6 cable, EIA/TIA-568B 100-ohm (100m)
Digital Input	Digital Input (Hi): DC 11V-30V Digital Input (Low): DC 0V-10V Supports sink type signal input with photo-coupler isolation
Relay Output	Dry Relay output: 1A / DC 24V Supports Multiple Events Binding trigger function.
Diagnostic Indicators	<ul style="list-style-type: none"> • RJ-45 port: Link /Activity (Green on, Green Blinking), 1000Mbps (Yellow) • SFP port: Link/Activity (Green on, Green Blinking) • Power: System Power ready (Green on) • Sys: System Ready (Green on), System Updating (Green Blinking) • DO (Alarm): Alarm Relay Active (Red On) • R.S.: Green on (Ring normal)/Blinking (wrong ring port connective), Amber on (Ring abnormal) / Blinking (device's ring port failed)

Management	
Telnet & Local Console	Supports command line interface with Cisco-like commands and maximum 4 sessions; the telnet interface also supports SSH
SNMP	Support IPv4/IPv6, v1, v2c, v3 with SNMP trap function, trap station up to 4 and can be manually configured the trap server IP address.
SNMP MIB	MIBII, Bridge MIB, Ethernet-like MIB, VLAN MIB, IGMP MIB
Korenix Utility	Korenix View
Network Time Protocol	Supports NTP protocol with daylight saving function and localized time sync function.
Management IP Security	IP address security to prevent unauthorized access
System Log	Supports remote Server with authentication
IEEE 802.1x	Port based network access control, RADIUS, MAB
Network Redundancy	
Multiple Super Ring (MSR™)	New generation Korenix Ring Redundancy Technology, Includes Rapid Super Ring, Rapid Dual Homing, SuperChain™ and backward compatible with legacy Super Ring™.
Rapid Dual Homing (RDH™)	Multiple uplink paths to one or multiple upper switch
SuperChain™	It is new ring technology with flexible and scalability, compatibility, and easy configurable. The ring includes 2 types of node Switch - Border Switch and Member Switch
Rapid Spanning Tree	IEEE802.1D-2004 Rapid Spanning Tree Protocol. Compatible with Legacy Spanning Tree and IEEE 802.1w multiple spanning tree
Network Performance	
Port Configuration	Port link Speed, Link mode, current status and enable/disable
Port Trunk	IEEE 802.3ad port aggregation and static port trunk; trunk member up to 8 ports and maximum 4 trunk groups
VLAN	IEEE 802.1Q Tag VLAN with 256 VLAN Entries and provides 2K GVRP entries 3 VLAN link modes- Trunk, Hybrid and Link access
Class of Service	IEEE 802.1p class of service; per port 4 priority queues.
Traffic Prioritize	Supports 4 physical queues, weighted fair queuing (W.R.R.) and Strict Priority scheme, which follows 802.1p CoS tag and IPv4 ToS/ DiffServ information to prioritize the traffic of your industrial network
IGMP Snooping	IGMP Snooping v1/v2/v3 for multicast filtering and IGMP Query mode; also support unknown multicasting process forwarding policies- drop, flooding and forward to router port
Rate Control	Ingress/Egress filtering for Broadcast, Multicast, Unknown DA or All packets
Port Mirroring	Online traffic monitoring on multiple selected ports
Port Security	Port security to assign authorized MAC to specific port
DHCP	DHCP Client, DHCP Server with IP & MAC Address binding, port based DHCP server

Dimension



Mechanical	
Installation	DIN-Rail mounting
Case	Steel metal with Aluminum heat-dissipate panel housing
Ingress Protection	IP31
Dimension (mm)	50 (W) x 120(D) x 135 (H) - w/o DIN Rail Clip
Weight	0.9Kg
Power Requirement	
System power	2x DC power input with polarity reverse protection
Input Range	DC 10-60VDC
Power Consumption	7.64W @ 48VDC
Environmental	
Operating Temperature	-40 ~75°C
Operating Humidity	0% ~ 95%, non-condensing
Storage Temperature	-40 ~ 85°C, 0% ~90% Humidity
Hi-Pot	AC 1.5KV for Ethernet port and power
Regulatory Approvals	
EMC	IEC/EN61000-6-2, IEC/EN61000-6-4 Heavy Industrial EMC EMI: FCC Class A, CE/ Class A EMS: IEC/EN61000-4-2, IEC/EN61000-4-3, IEC/EN61000-4-4, IEC/EN61000-4-5, IEC/EN61000-4-6, IEC/EN61000-4-8
Railway Application	EN50121-4
Shock	Compliance with IEC 60068-2-27
Vibration	Compliance with IEC 60068-2-6
Free Fall	Compliance with IEC 60068-2-32
MTBF	734,700 hrs.
Warranty	5 years

Ordering Information

Model Name	Description
JetNet 5208G	Industrial 8G RJ45 Managed Ethernet Switch, -40~75°C
JetNet 5208G-2F	Industrial 6G RJ45 + 2G SFP Managed Ethernet Switch, -40~75°C
Package	Includes: <ul style="list-style-type: none"> • JetNet 5208G Series • DIN-Rail kit • Quick Installation Guide Note: Please download User Manual from Korenix website