



ULO1015-M
10.1" TFT LCD, 1000nits LED Backlight, 1920x1200

The ULO1015-M is a 10.1 inch industrial grade sunlight readable LCD, with high brightness 1000 nits, it produce sharp images, crisp text and lifelike colors. The Ubipixel LED backlight technology ensures high reliability and low power consumption, suitable for outdoor application, kiosk, factory automation, military, and transportation application.

Key Features

- High Brightness 1000 nits
- Sunlight Readable
- LED Backlight
- Low Power Consumption
- Wide Temperature(-20 °C ~ 70 °C)
- BL MTBF: 50,000 hours



Specifications

Model Name	ULO1015-M
Description	10.1" TFT LCD, 1000 nits LED Backlight, 1920x1200
Screen Size	10.1"
Display Area (mm)	216.8(H) x 135.5(V)
Brightness	1000 cd/m ²
Resolution	1920x1200
Aspect Ratio	16 : 10
Contrast Ratio	1000 : 1
Pixel Pitch (mm)	0.11292(H) x 0.11292(V)
Pixel Pre Inch (PPI)	224
Viewing Angle	170°(H),170°(V)
Color Saturation (NTSC)	83%
Display Colors	16.7M
Response Time (Typical)	25ms
Panel Interface	LVDS
Input Interface	HDMI, DP
Input Power	DC12V
Power Consumption	8.5W
OSD Key	4 Keys (Power Switch, Menu, +, -)
OSD Control	Brightness, Color, Contrast, Auto Turing, H/V Position...etc
Dimensions (mm)	232.1 x 151.7 x 47.5
Bezel Size(U/B/L/R)	10.6/5.7/8.9/6.3
Weight (Net)	1.2 kg
Mounting	75x75 mm
Operating Temperature	-20 °C ~ 70 °C
Storage Temperature	-30 °C ~ 80 °C

ULO= Panel + LED Driving Board + AD Control Board + Chassis

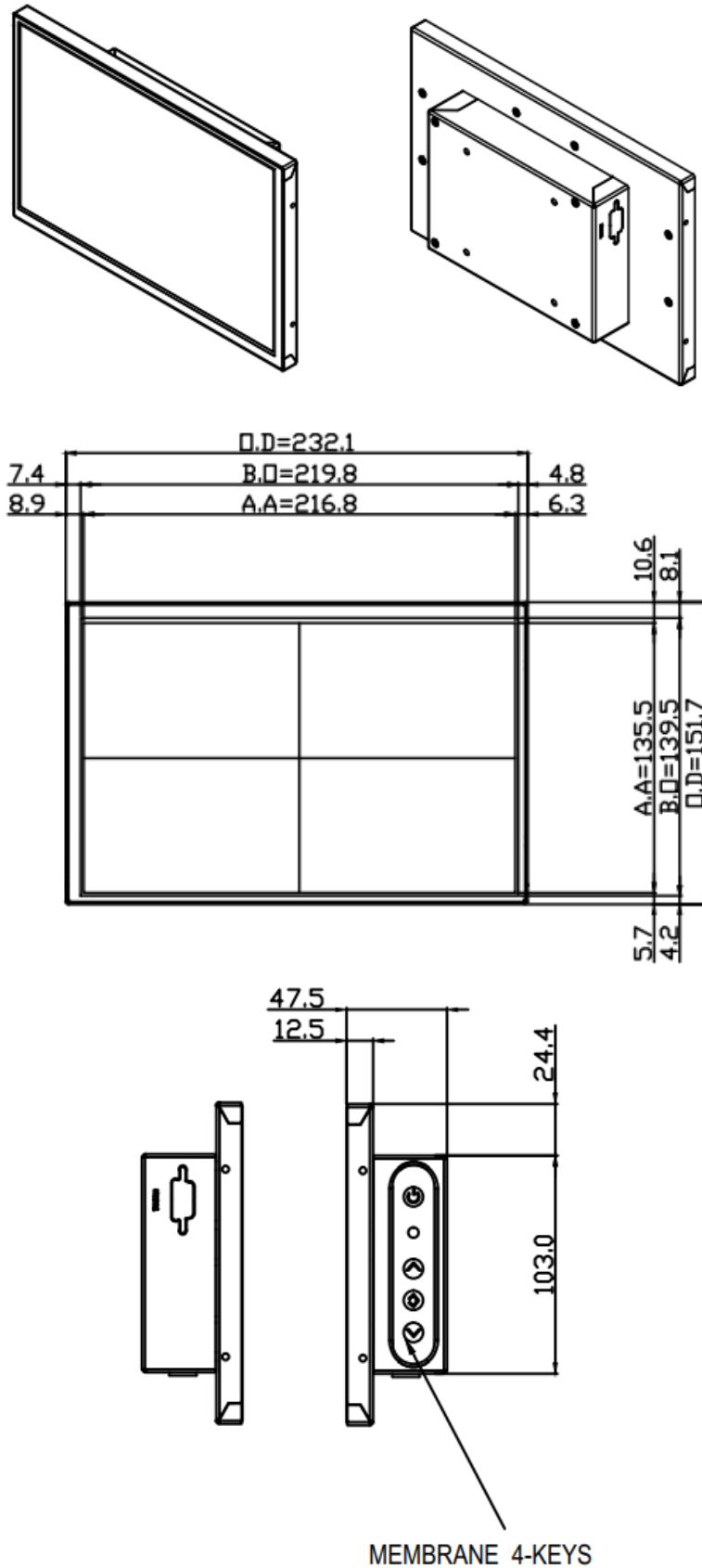
Specifications are subject to change without notice.
 All brands or product names are trademarks or registered trademarks of their respective companies.

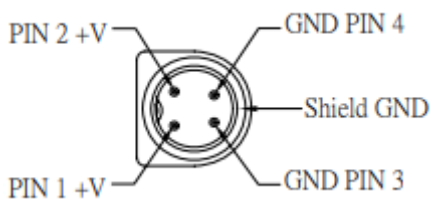
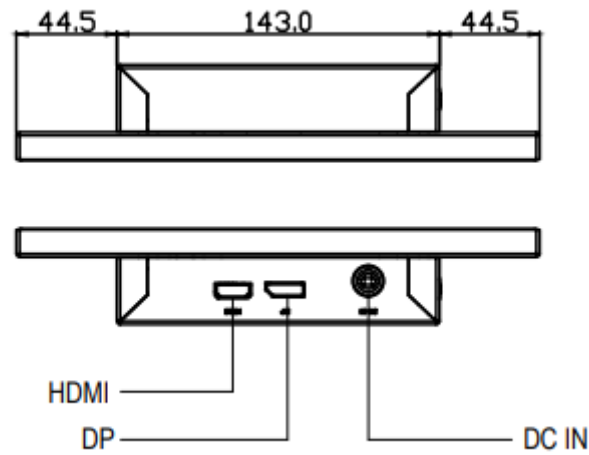
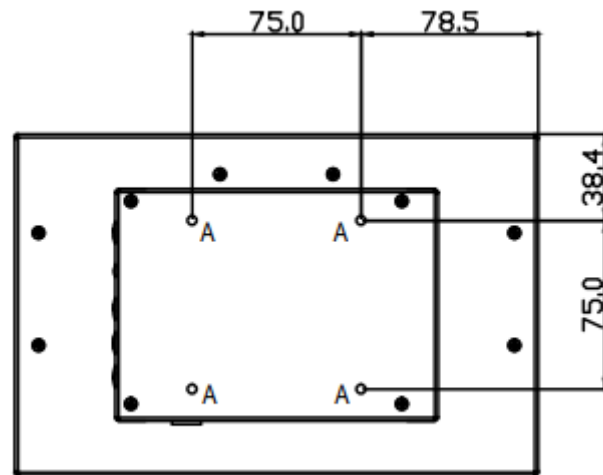


Mechanical Drawing

Outline Dimensions

Unit:mm





Note :

O.D. : OUTLINE DIMENSION

B.O. : BEZEL OPENING

A.A. : LCD ACTIVE AREA

A : 4-M4_USER HOLE_MAX Depth=4mm



Ordering Information

Part Number	Description
ULO1015-MHB-T11	10.1",1000nits,1920x1200,T2070,LID10C,AD68862HP,O/B,DC12V,8in1,V1

Part Number	Description
810618301010	CABLE.POWER.AC.1830mm USA type
810618301090	CABLE,POWER,AC,1830mm Europe type
810618301050	CABLE.POWER.AC.1830mm UK type
810618301170	CABLE.POWER,AC,1830mm Australia type
810618301031	CABLE.POWER.AC.1830mm Japan type

Customer request

Touch	SCT (Single-Touch), PCT (Multi-Touch)
Glass	Tempered glass, AR coating.....