

# CM8100 High Density Console Manager

with Smart Out-of-Band Management



- 16, 32 or 48 port serial console manager with Smart OOB™
- Ideal replacement for legacy terminal servers
- Enables Data Center automation with Python and Docker support
- Embedded physical security using TPM 2.0 module
- Dual power supplies with independent monitoring



## Console Specifications

Serial Ports CM81xx - 16, 32 or 48 x RJ45 RS-232 Cisco straight X2 pinout

## Interfaces

Network Ports 2 x 10/100/1000 Ethernet port with 1500V AC Isolation and ESD Protection

Console Port 1 x RJ45 RS-232 Console Port - Cisco rolled X1 pinout, baud rate 9600

Serial Ports Cisco straight X2 Pinout 50 to 230,400bps, Provides direct connection to device console ports, no adapters needed

USB 2 x USB 3.0 host ports, Can be used for external storage or to manage device console ports

Remote Access Dual Ethernet, aggregation & redundancy, automatic network failover, easy web browser UI IPv6

Console Management

- Built-in web terminal
- SSH direct to consoles
- Optional console keystroke logging
- Alert on cable disconnects, text pattern match and more
- Multiple concurrent sessions

## Power Requirements

Dual AC Dual socket universal IEC C14 inlet 100-240V AC

Dual DC +/- 40V to 72V DC

Power Consumption Less than 15 W (51 BTU/h) typical

Cooling Passive Cooling - can be forward or reverse mounted



USA +1 888 346 6853 | UK +44 20 4539 0280 | Asia Pacific +617 3871 1800 | Global:  
sales@opengear.com | Latin America: latam@opengear.com | www.opengear.com 060722

## Physical Dimensions

Dimensions and Weight	17.3" x 9.25" x 1.75" - 9.5 lbs, 440 x 235 x 44 mm - 4.5 kg
Form Factor	1 RU

## Memory and CPU

CPU	1.6 GHz Dual-Core ARM Cortex-A9 SoC (Marvell 88F6820)
Memory	2GB DDR4 SDRAM
Storage	32GB eMMC

## Environmental

Operating Temperature	5°C to 50°C, 41°F to 122°F
Storage Temperature	-30°C to +60°C, -22°F to +140°F
Humidity	5% to 90% (non-condensing)

## Security, Encryption & Authentication

- AAA - TACACS+, RADIUS, Active Directory/OpenLDAP, with local fallback
- Embedded Firewall
- IPsec and OpenVPN
- Trusted Platform Module 2.0

## Automation & Scalability

- Opendgear
- [API access](#)
- Docker support
- Python
- Perl and bash support
- ZTP
- SNMP-Standard [MIBs](#)

## Certifications

Emissions	FCC Part 15 Subpart B:2021 Class A, ICES-003 Issue 7, AS/NZS CISPR 32:2015, EN 55035:2017, EN 55032:2017, VCCI-CISPR 32:2016, CNS 13438:2006-6
Immunity	EN 61000-3-2:2019, IEC 61000-3-2:2018, EN/IEC 61000-3-3:2013, EN 61000-4-2:2009, IEC 61000-4-2:2008, EN 61000-4-3:2006:+ A1:2008 + A2:2010, IEC 61000-4-3:2006 + A1:2007 + A2:2010, EN/IEC 61000-4-4:2012, IEC 61000-4-8:2009, EN/IEC 61000-4-11:2004
Other Agency Approvals	CE, IEC 1950, IEC 62368, RoHS compliant.
MTBF	150,000 Hours

## Warranty

4 years hardware replacement and support included. Optional paid extended warranty available up to 6 years.

## Available Models

Model	Description
CM8116-xx	16 serial straight pinout, 2x 1GbE, ARM 1.6GHz 2-core 2GB mem 32GB flash TPM, Dual AC
CM8116-DDC	16 serial straight pinout, 2x 1GbE, ARM 1.6GHz 2-core 2GB mem 32GB flash TPM, Dual DC
CM8132-xx	32 serial straight pinout, 2x 1GbE, ARM 1.6GHz 2-core 2GB mem 32GB flash TPM, Dual AC
CM8132-DDC	32 serial straight pinout, 2x 1GbE, ARM 1.6GHz 2-core 2GB mem 32GB flash TPM, Dual DC
CM8148-xx	48 serial straight pinout, 2x 1GbE, ARM 1.6GHz 2-core 2GB mem 32GB flash TPM, Dual AC
CM8148-DDC	48 serial straight pinout, 2x 1GbE, ARM 1.6GHz 2-core 2GB mem 32GB flash TPM, Dual DC

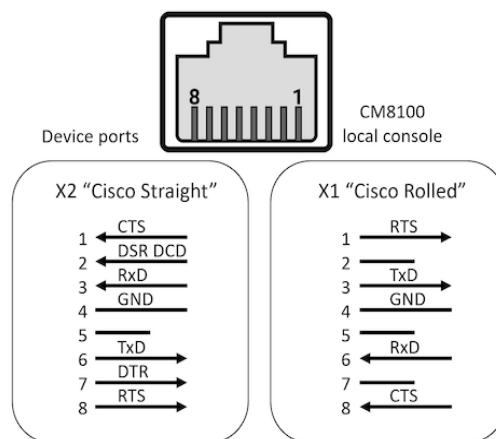
Power cables included are based on -xx selection of -US, -EU, -UK, -JP, -AU, or -C14. See this [Opendgear article](#) for additional details.

## Package Checklist

- Console Server CM81xx
- Rack Mount Kit (Part# 590037)
- Two rack ears with six M4 screws
- Four M5mm caged nuts
- Four M5x15mm rack screws
- One CAT5 Patch Cable 6'
- One DB9F-RJ45 rollover serial adapter (Part# 319018)
- Two A/C Power cables\*
- Quick Start Guide
- Lighthouse insert

\* DDC models will not ship with power cables.

## Opengear Pinout



## Optional Accessories

Part Number	Description
319014	Adapter - DB9F to RJ45 straight serial - DCE -For X2 Pinout
319015	Adapter - DB9F to RJ45 crossover serial - DTE -For X2 Pinout
319016	Adapter - DB9M to RJ45 straight serial - DCE - For X2 Pinout
440016	Cable - Straight through CAT5 - 6' length

## Warranty

Part Number	Description
Included	4 year Standard Warranty
OGEXTWAR5-CM81	Warranty - CM81xx (Extend warranty through 5th year)
OGEXTWAR6-CM81	Warranty - CM81xx (Extend warranty through 6th year, must also purchase 5th year)