



HD-TVI/ AHD/ HD-CVI/ CVBS Distributor Series

# User Manual

---

Model : CD104HD

1 x 4 HD-TVI/AHD/HDCVI/CVBS Video Distributor



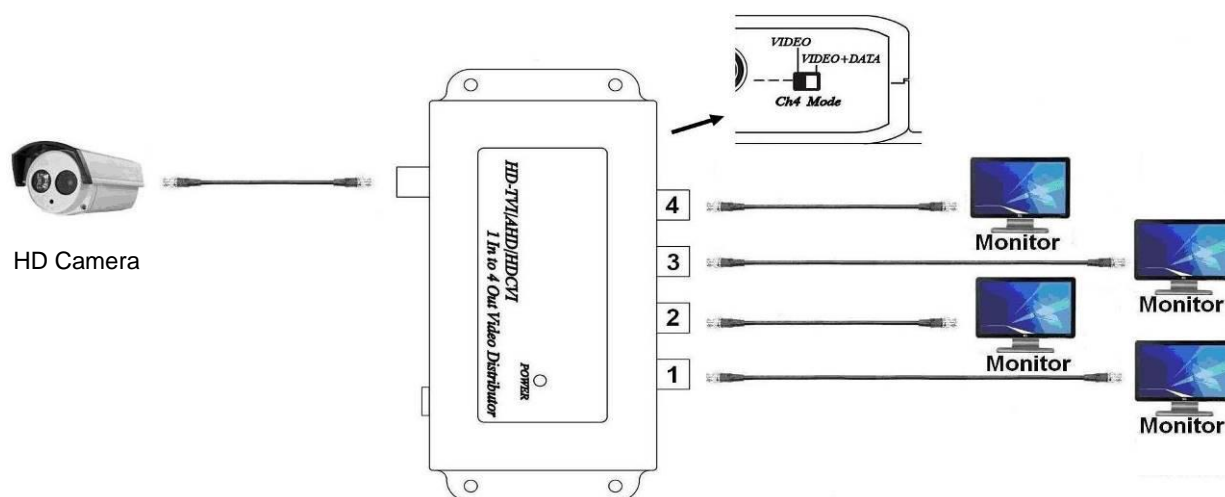
## Introduction

CD104HD is a video distributor that can split an HD-TVI/ AHD/ HDCVI/ CVBS signal into 4 ones with up to 4K (8MP) resolution.

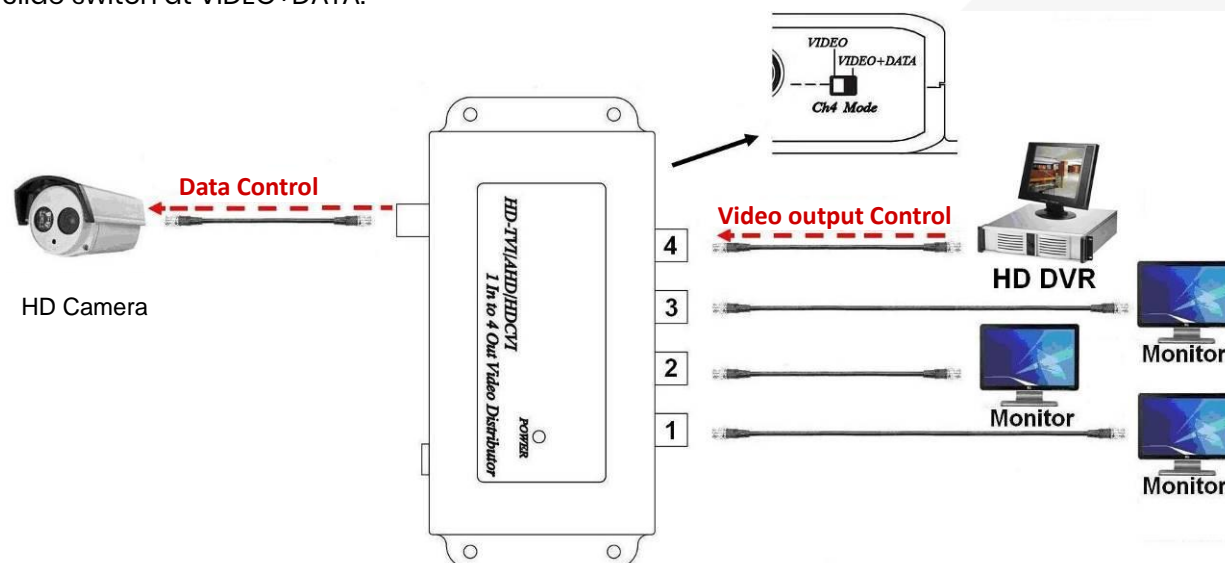
## Features

- Extends and splits a video signal into 4 ones.
- Supports HD-TVI, AHD, HDCVI, 960H, NTSC, PAL video signal.
- Resolution up to 8MP(4K).
- Support UTP (Up the Coax)
- Built in TVS protection.

## Installation View



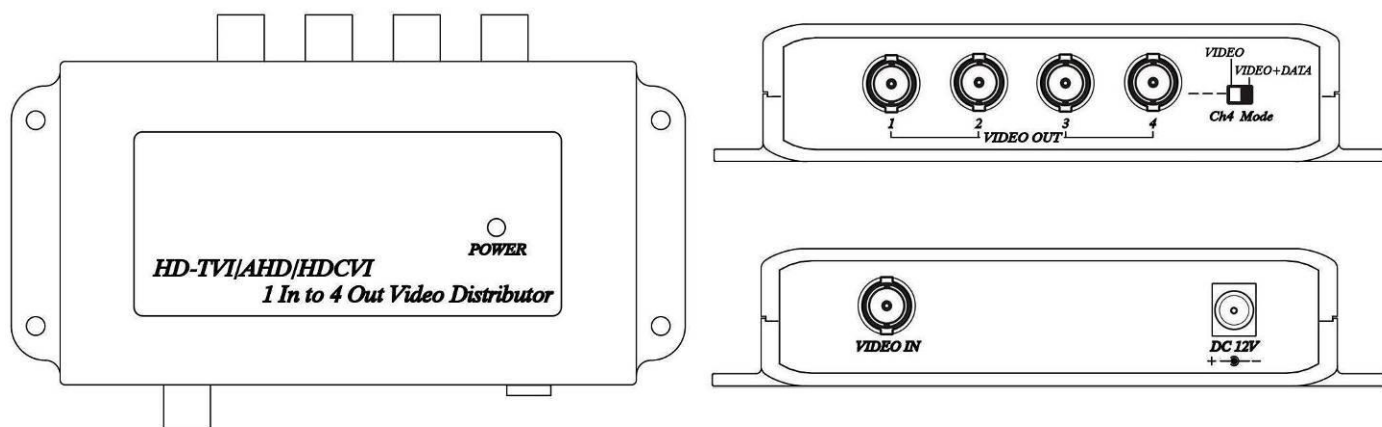
Slide switch at VIDEO+DATA:



## Dip Switch Mode Function

VIDEO	Output 4 support video only.
VIDEO + DATA	Output 4 support HD camera video with data control signal

## Panel View



## Cable & Transmission Distance

Link cable recommend use high quality 75ohm coaxial RG59/RG6U cable. The transmission distance will be affected by different quality of Camera, DVR and BNC connector, cable, installation...etc.

## LED Indication

GREEN  
ON            Power ON  
OFF         Power OFF

## Caution

Output 4 under Video+Data mode, the output must connect with HD-DVR. Not allow to connect with CVBS Camera/DVR.

## Specifications

ITEM NO.	CD104HD
Support	
Video Format	HD-TVI, AHD, HDCVI, 960H, NTSC, PAL
Max. Video Resolution	4K
Video Bandwidth	100MHz 0.1dB
Ports & Interfaces	
Video Input	1 x BNC (1V p-p, 75Ω)
Video Output	4 x BNC (1V p-p, 75Ω)
Power	
Power Supply	DC 12V 500mA
Power Consumption	110mA (Max)
Ambient Temperature	
Operation	0 to 55°C
Storage	-20 to 85°C
Humidity	Up to 95%
Physical Characteristics	
Dimensions	1388 x 85.6 x 29.5mm
Weight	140g