



HD-TVI/ AHD/ HD-CVI/ CVBS Distributor Series

User Manual

Model : CD108HD

1 x 8 HD-TVI/AHD/HDCVI/CVBS Video Distributor



Introduction

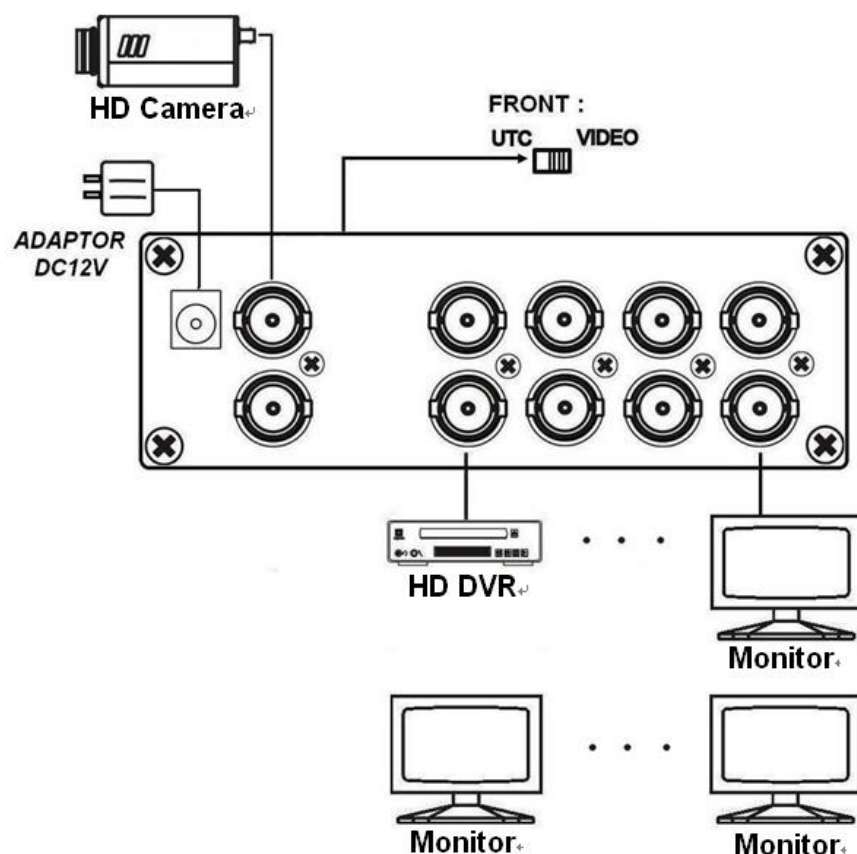
CD108HD is a video distributor that can split an HD-TVI/ AHD/ HDCVI/ CVBS signal into 8 ones with up to 4K (8MP) resolution.

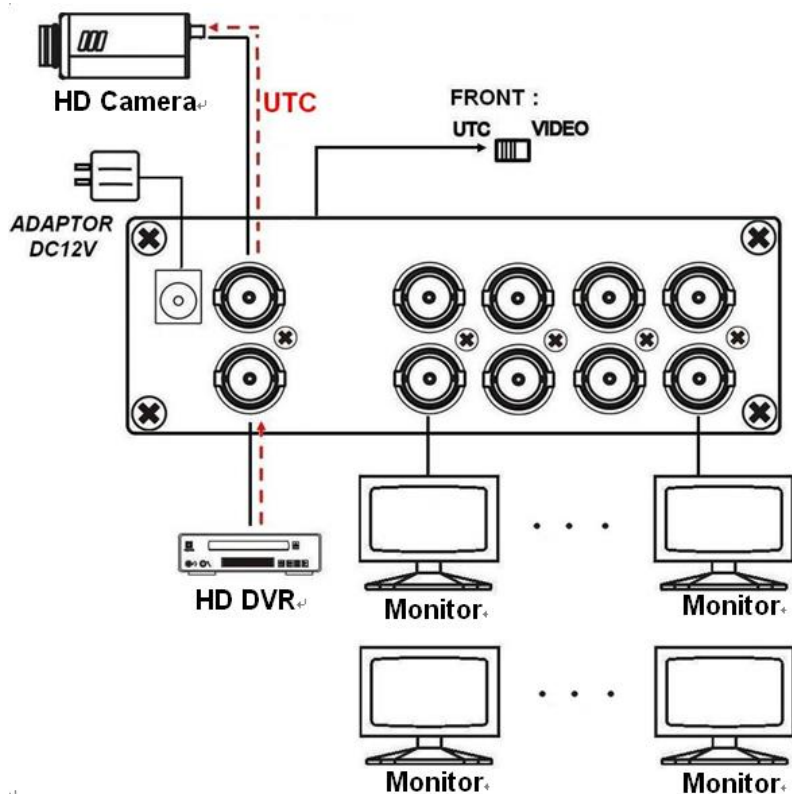
Features

- Extends and splits a video signal into 8 ones.
- Supports HD-TVI, AHD, HDCVI, 960H, NTSC, PAL video signal.
- Resolution up to 8MP(4K).
- Support UTP (Up the Coax)
- Built in TVS protection.

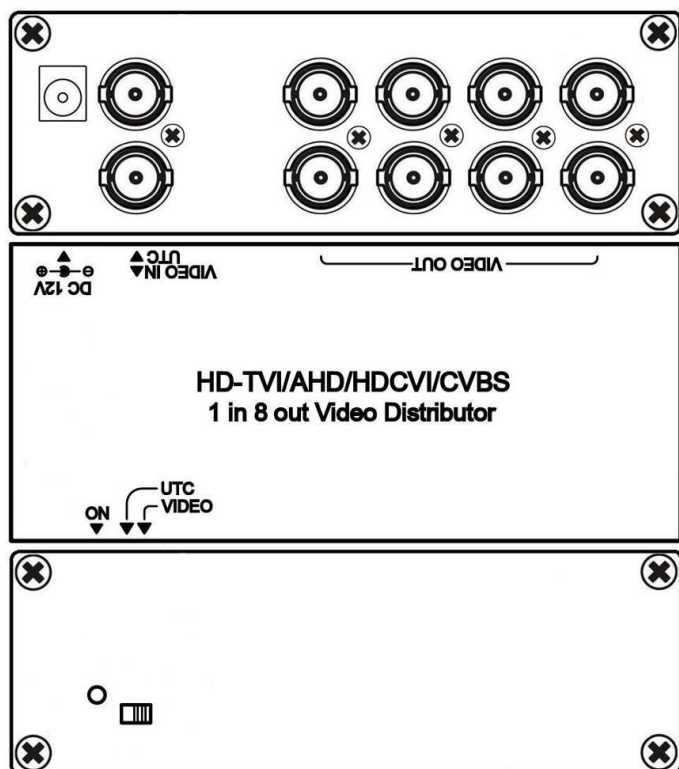
Installation View

Slide Switch at Video





Panel View



Cable & Transmission Distance

Link cable recommend use high quality 75ohm coaxial RG59/RG6U cable. The transmission distance will be affected by different quality of Camera, DVR and BNC connector, cable, installation...etc.

LED Indication

GREEN

ON Power ON

OFF Power OFF

Dip Switch

VIDEO Video Distribution mode: not support UTC output.

UTC UTC Transmission mode: support Video & UTC control data output.

UTC Instruction

1. Under UTC Video+Data mode, the UTC output must connect with HD-DVR. Not allow to connect with CVBS Camera/DVR to avoid picture over brightness.
2. Under video distribution mode, no video on UTC output port.

Specifications

ITEM NO.	CD108HD
Support	
Video Format	HD-TVI, AHD, HDCVI, 960H, NTSC, PAL
Max. Video Resolution	4K
Video Bandwidth	100MHz 0.1dB Gain Flatness
Ports & Interfaces	
Video Input	1 x BNC (1V p-p, 75Ω)
Video Output	8 x BNC (1V p-p, 75Ω)
Power	
Power Supply	DC 12V 500mA
Power Consumption	180mA (Max)
Ambient Temperature	
Operation	0 to 55°C
Storage	-20 to 85°C
Humidity	Up to 95%
Physical Characteristics	
Dimensions	133 x 75 x 44mm
Weight	430g