



Ethernet Extender

User Manual

Model : IP01F

Ethernet to Fiber Media Converter/Extender



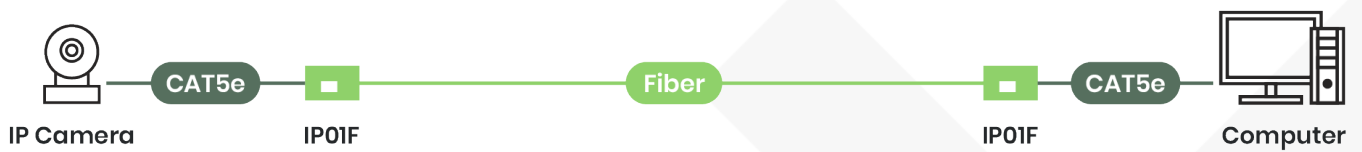
Introduction

IP01F is a networking device capable of transmitting data communication protocol including Ethernet, Fast Ethernet, and Gigabit Ethernet over fiber optics. The transmission distance can reach up to 20km over a single-mode fiber module and single-core fiber cable. The plug and play media converter is an ideal solution for CCTV network, AVoIP system, and IT infrastructure.

Features

- Supports inter-conversion between 10/100/1000Base-TX and 1000Base-SX.
- Supports full/half-duplex.
- Transmission distance up to 20KM via single-mode single-core fiber cable.
- Built-in SC optical connector.
- Supports IGMP, and jumbo frames.
- Supports multiple mounting options (Wall/Rack mounting & Din-rail).

Diagram

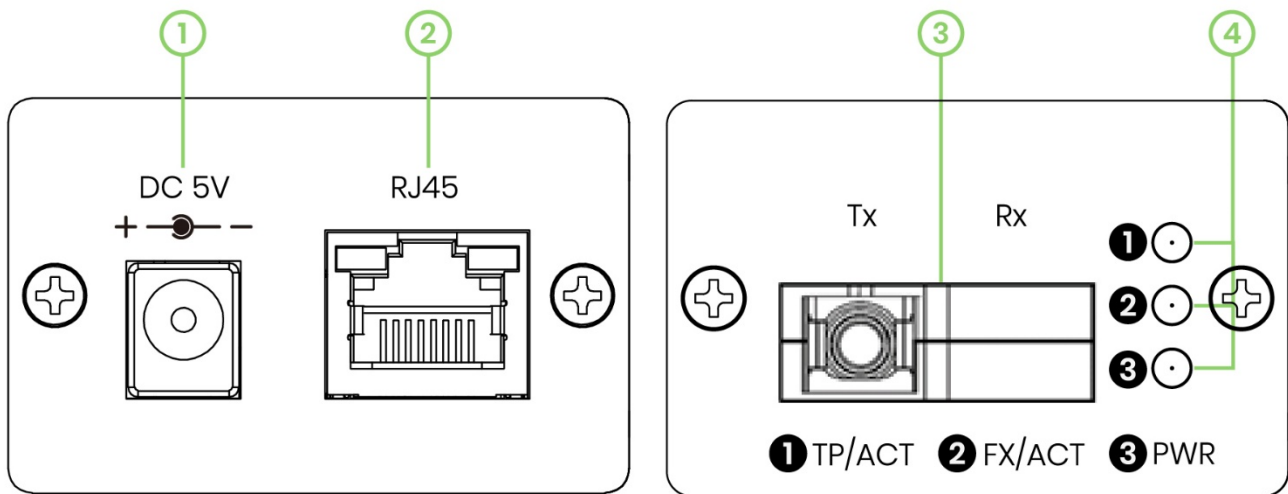


※ Other than PC, it can also connect a Gigabit Ethernet switch.

Transmission Distance

Module	Cable	Max. Distance
Single-mode	Single-core Fiber (9/125 μ m)	20 km
N/A	CAT.5e UTP/ STP/ FTP/ CAT.6 UTP	100m

Panel View



No	Interface	Description
1	Power Input	To input a DC5V power
2	RJ45	To connect a network cable
3	SC Fiber Connector	To connect a single fiber cable
4	LED Indicators	To indicate the status of power and connection

LED Indication

LED	LED Status	Description
FX/ACT	Blink	Data Transmitting
TP/ACT	Blink	Data Transmitting
PWR	ON/ OFF	Power On/ Off

Caution

- This product is designed for indoor applications. If it is desired for outdoor use, please install additional equipment for waterproof protection and surge protectors to prevent damages caused by lightning.
- Do not put anything on the power and system cables; place them where they cannot be stepped on. Please be sure there is nothing resting on any cables.
- Avoid using this product close to water places, or near high temperature devices such as radiators, stoves, etc.
- Shut down the power supply and unplugged all equipment immediately if:
 - water or any kind of liquid has been spilled into the product;
 - the product has been damaged by external force;
 - the product does not operate normally as this manual indicates;
 - Please contact us for further repair if above conditions happen.
- Transmission distance may vary by cable quality, fiber module, installation, and connected equipment.

- Using CAT.5e UTP/ STP/ FTP, and CAT.6 UTP (Solid Conductor) cables are recommended, the greater the diameter of the cable, the fewer the signal loss.
- To enable Jumbo frame, both Tx and Rx devices should enable the function at the same time.
- Please note that IP01FA **Must** connect to IP01FB, instead of IP01FA to IP01FA or IP01FB to IP01FB. You can find the sticker specifying A/ B on the product.



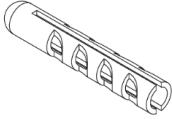

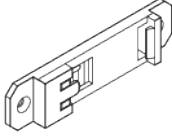

What's in the Package

No	Item	Qty
1	IP01F	x 2
2	DV5V 2A Power Adapter	x 2
3	Accessory Set	x 2

Specification

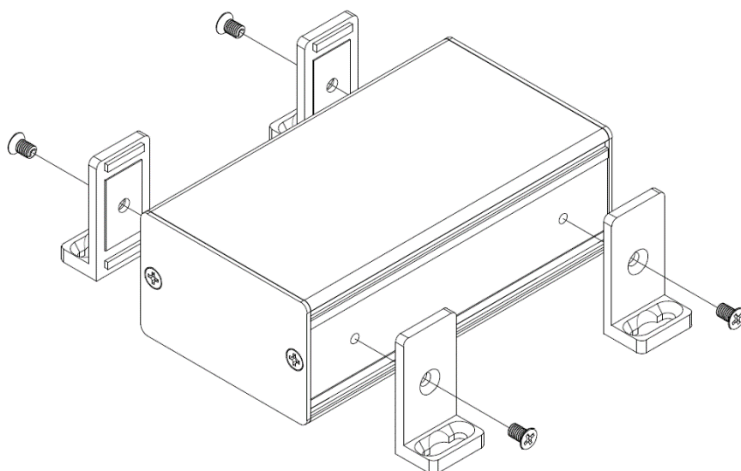
Item No	IP01F
Support	
Compliance	IEEE802.3 10BASE-T IEEE802.3u 100BASE-T IEEE802.3ab 1000BASE-T IEEE802.3z 1000BASE-SX/1000BASE-LX IEEE802.3az
Max. Transmission Distance	Ethernet: 100M over a network cable Fiber: 20 km over single mode single fiber
Data Bandwidth	10/100/1000Mbps
Jumbo Frame	9K
Flow Control	Half/ Full Duplex
ESD Protection	15kV (Air), 8kV (Contact)
Ports & Interfaces	
Data Input	1 x RJ45 (Auto-MDI/MDI-X)
Data Output	1 x SC Connector (9/125um)
Power	
Power Input	DC 5V 2A
Power Consumption	<5W
Ambient Temperature	
Operation	-40 to 75°C
Storage	-40 to 85°C
Working Altitude	2000M
Humidity	Up to 95%
Physical Characteristics	
Dimension	50 x 93 x 32mm
Weight	405g

Installation Guide

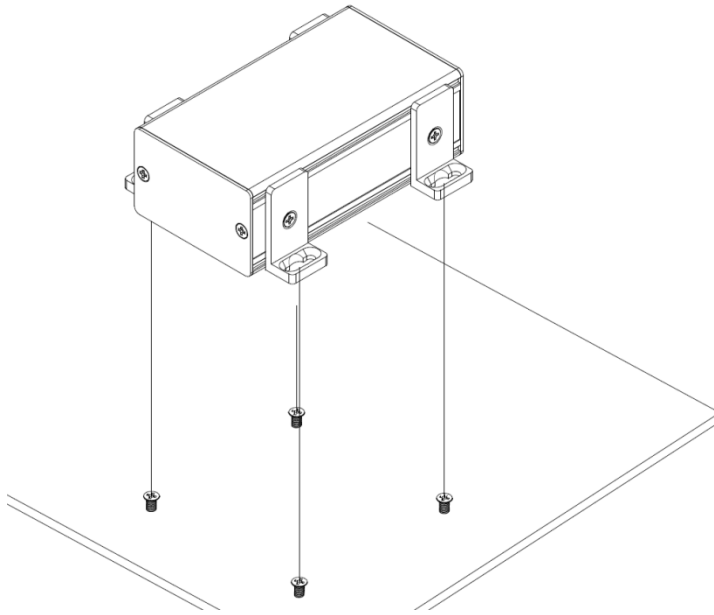
Accessory		
A	Machine Screw	
B	Self-drilling Screw	
C	Screw Plug	
D	Angle Bracket	
E	DIN-rail Mounting Plat	
F	1U Rack	

Installed on a Platform

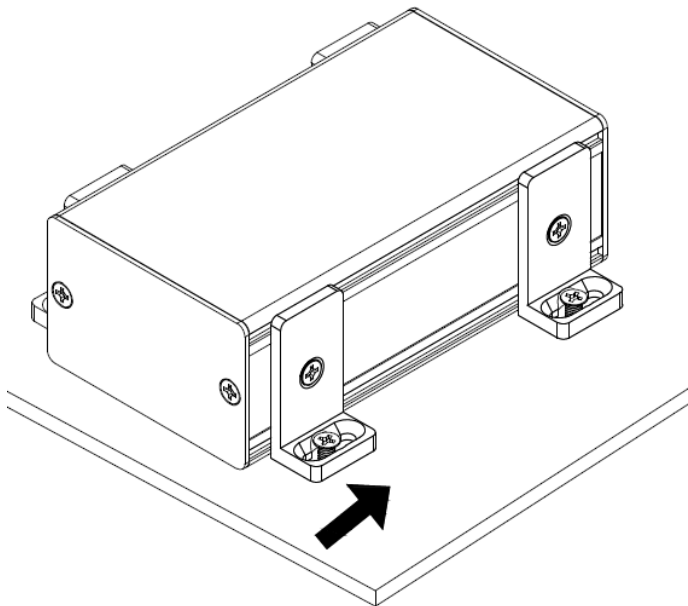
Step 1 Use machine screws to fix angle brackets on both sides of your product



Step 2 Use self-drilling screws to fix the product on a platform

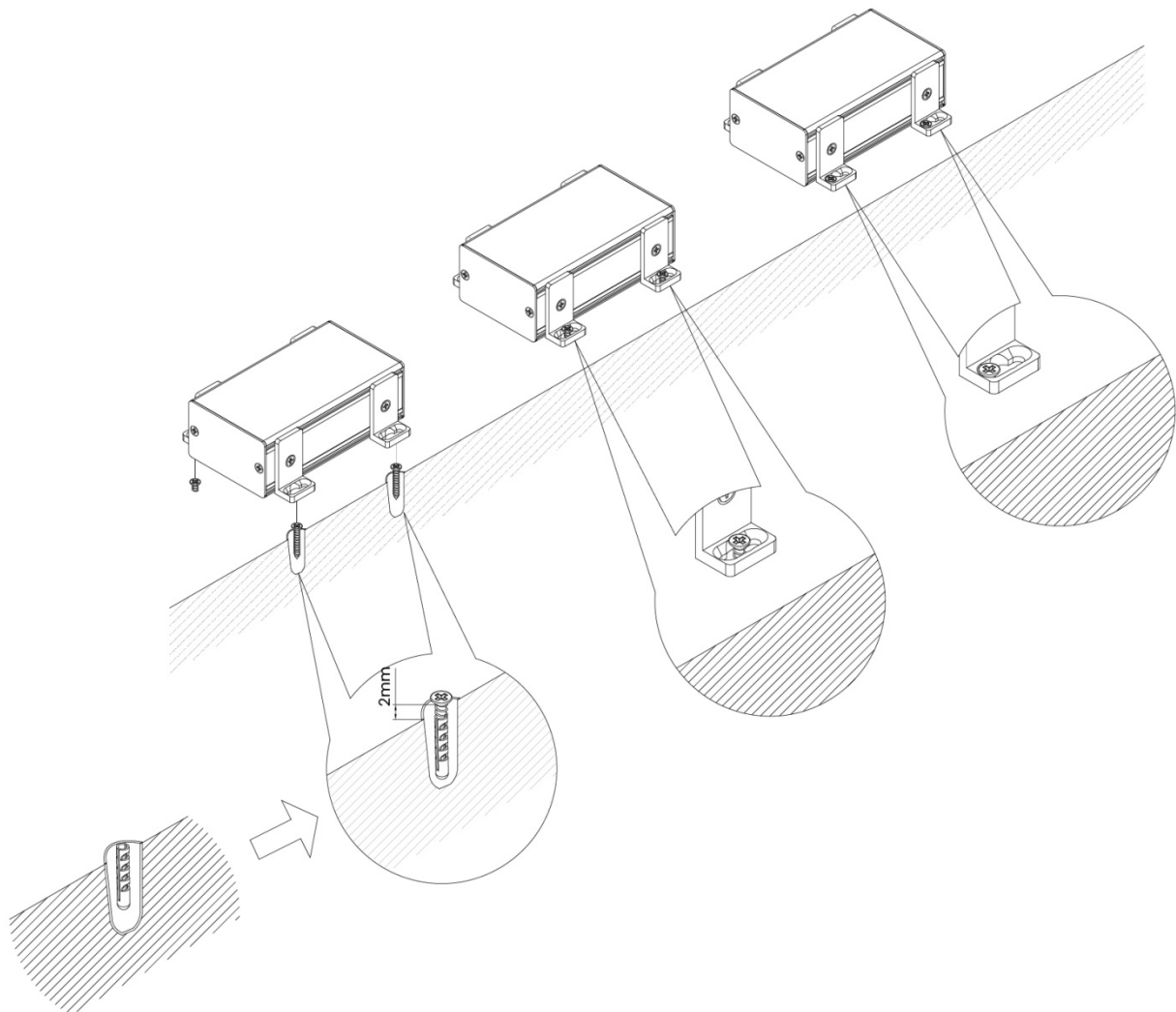


Step 3 Move the product to get fixed and then lock the screws



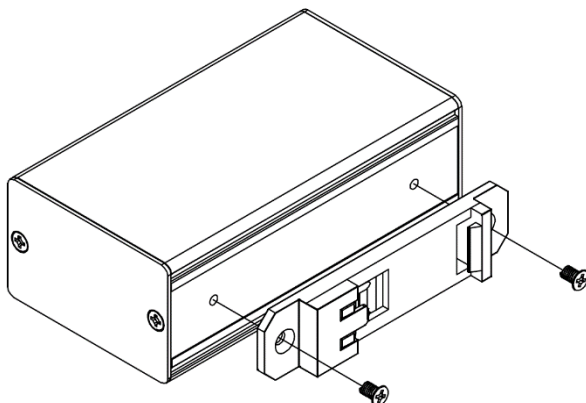
Installed on Wall

Step 1 Same way as “Installed on a Platform”, but need to put screw plugs into the pilot hole before inserting the screws (leave 2mm space from the platform)

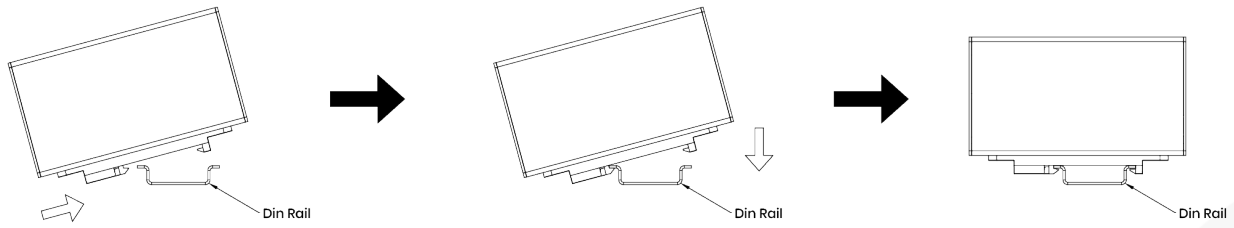


Installed on a DIN-rail

Step 1 Use machine screws to fix a DIN-rail mounting plat on the side of your product

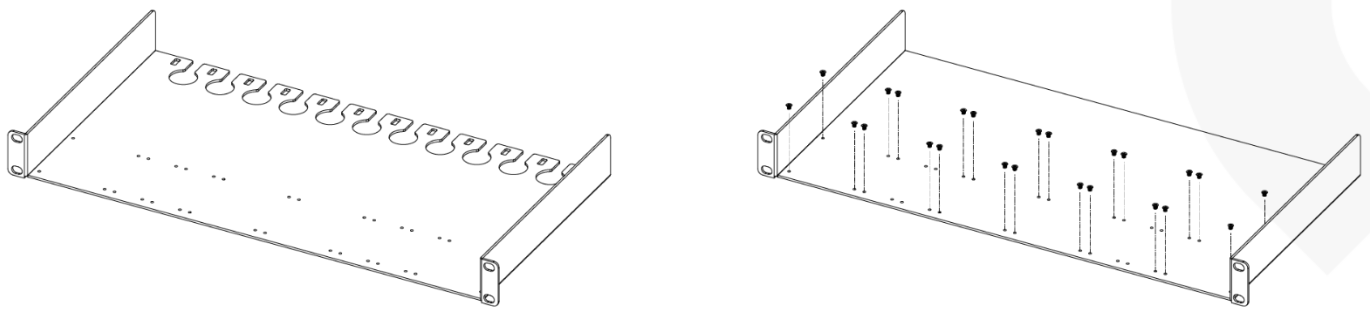


Step 2 Install your product on a DIN-rail as following instruction

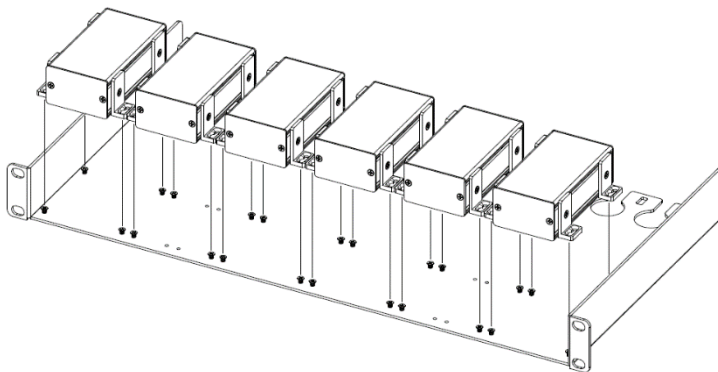


Installed on a Rack

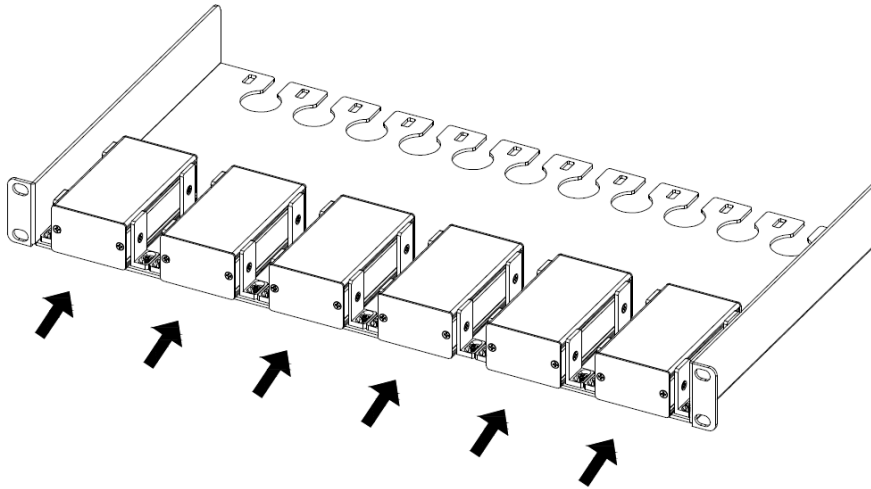
Step 1 Lock machine screws in the rack



Step 2 Put your products on the rack



Step 3 Push the products to the other side of the rack



Step 4 Install the rack in a cabinet

