

# SC-HD1VDA

HD/EX-SDI Distribution Amplifier

SC-HD1VDA is a 1 in 4 out HD/EX-SDI distribution amplifier to distribute 1 input signal to 4 output. This product is compliant with SMPTE-292M and SMPTE-424M standards and features re-clocking and equalization function thus enabling stable long-distance transmission.

## Features

- 1 In 4 Out distribution
- SMPTE 292M/424M compliant
- Various input (Full HD: 1.5G, Full HD: 3G, EX-SDI 1.0/2.0)
- High-quality HD-SDI signal transmission with built-in re-clocking and equalization features
- Max. 200m (Full HD: 1.5G), Max. 100m (Full HD: 3G) transmission over RG-6
- Surge protection

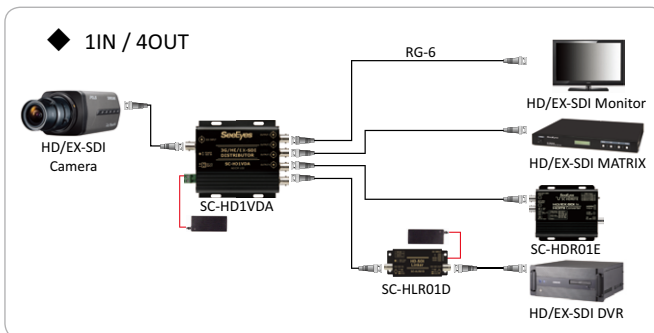
[ SC-HD1VDA ]



## Specifications

MODEL		SC-HD1VDA
Video In/Out		HD-SDI, EX-SDI
Power Input		DC12V~48V
Power Consumption		165mA(DC12V)
Max. Distance (RG-6, RG-59)		Full HD 3G: 100m(RG-6), 85m(RG-59) Full HD 1.5G: 200m(RG-6), 150m(RG-59) EX-SDI 1.0: 430m(RG-6), 330m(RG-59) EX-SDI 2.0: 650m(RG-6), 500m(RG-59)
Bandwidth		270Mbps ~ 3Gbps
Connection Port	HD-SDI In/Out	BNC-F(75Ω)
	Video In	1 IN
	Video Out	4 OUT
LED	HD-SDI	Green On: SDI signal Input
	Power	Yellow On : Normal / Off : Flashing
Temperature / Humidity		0°C ~ +50°C / 0 ~ 80%
Case body / Weight		Aluminium / 240g
Dimension(mm)		93(W) X 93(H) X 35(D)

## Connection Diagram



## Dimensions

