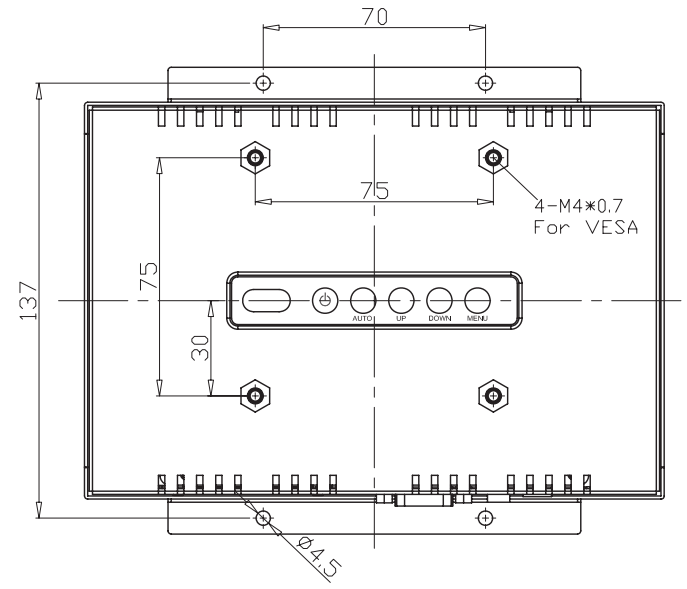
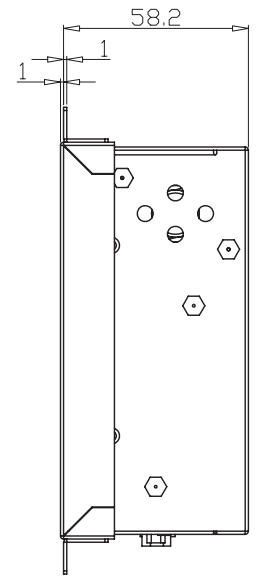
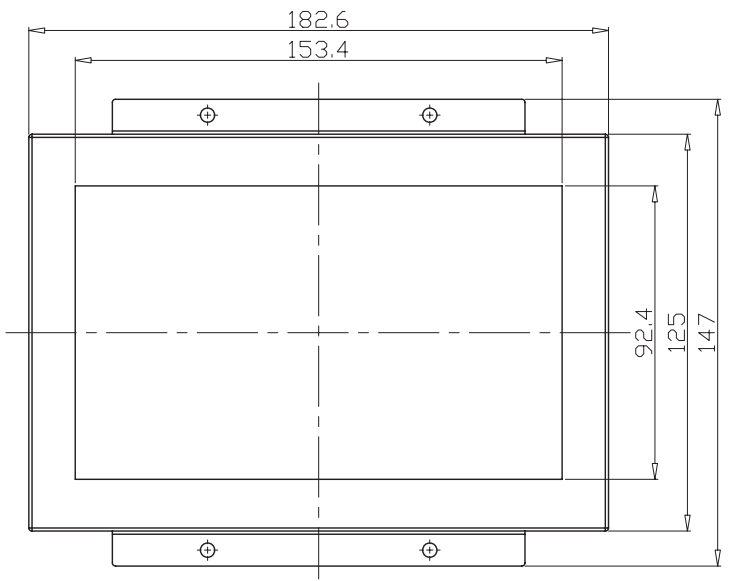


1 2 3 4 5

A



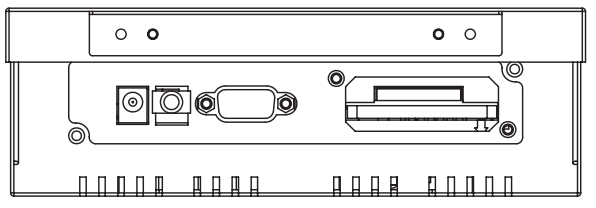
A

B

B

C

C



D

D

AD/BOARD		MODEL	CM0706		泓瑜科技有限公司 WINSONIC TECH. CO., LTD.						
INVERTER		PART NO.							PART NAME	Assembly	
KEY PAD		MATERIAL		DATE	11/12/2009	APPROVED		DRAWN	JACK	REV.	
PANEL:	AU-A070VW01 AU-C070VW02 AU-G070VW01									UNIT	MM

1 2 3 4 5