

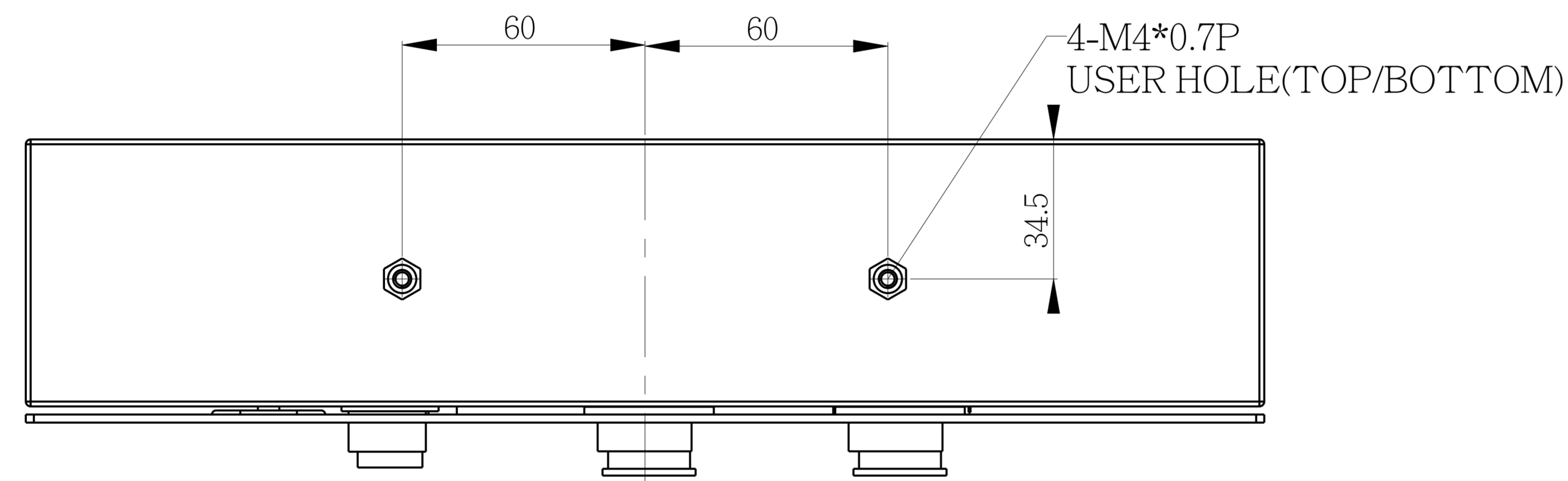
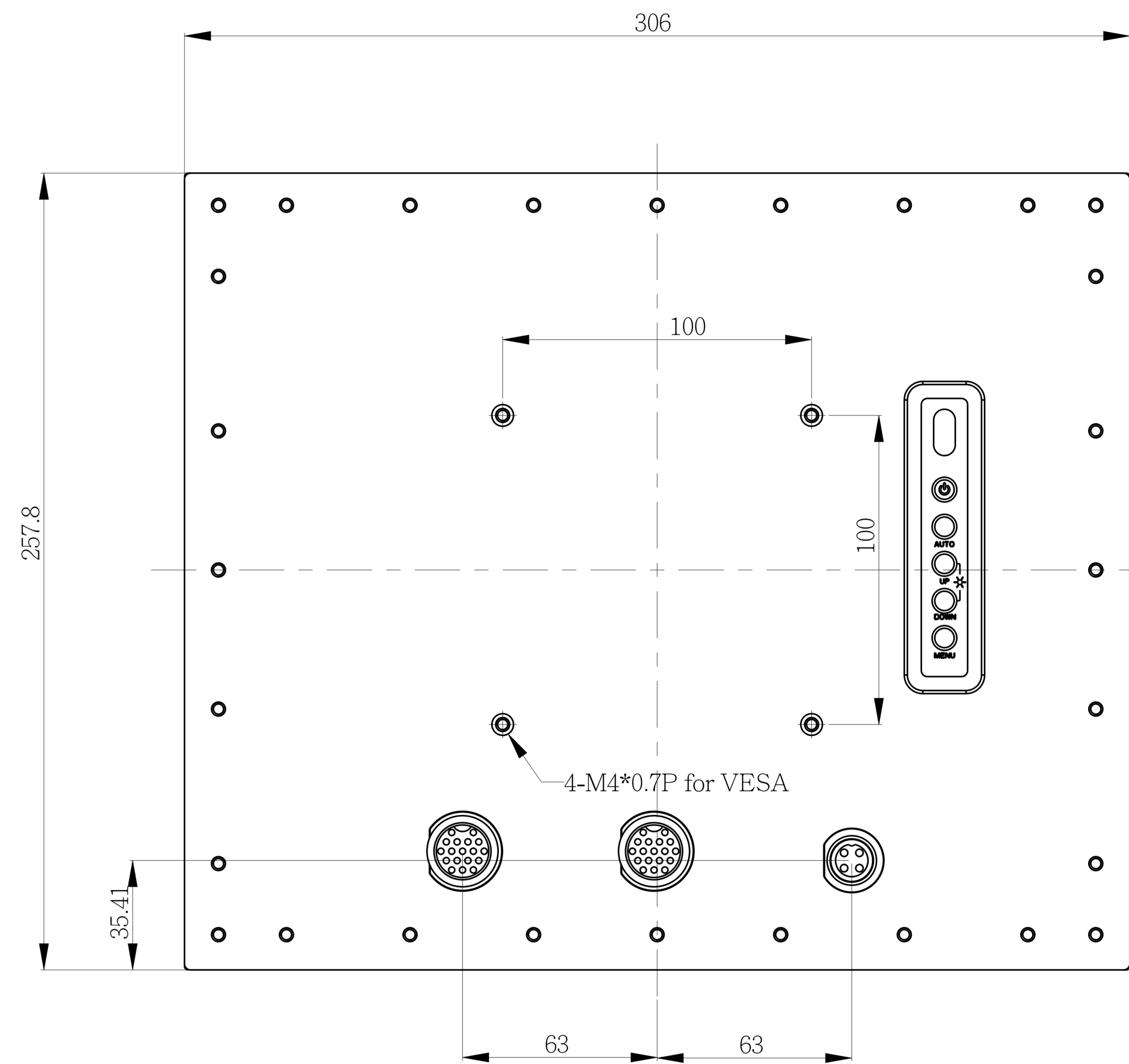
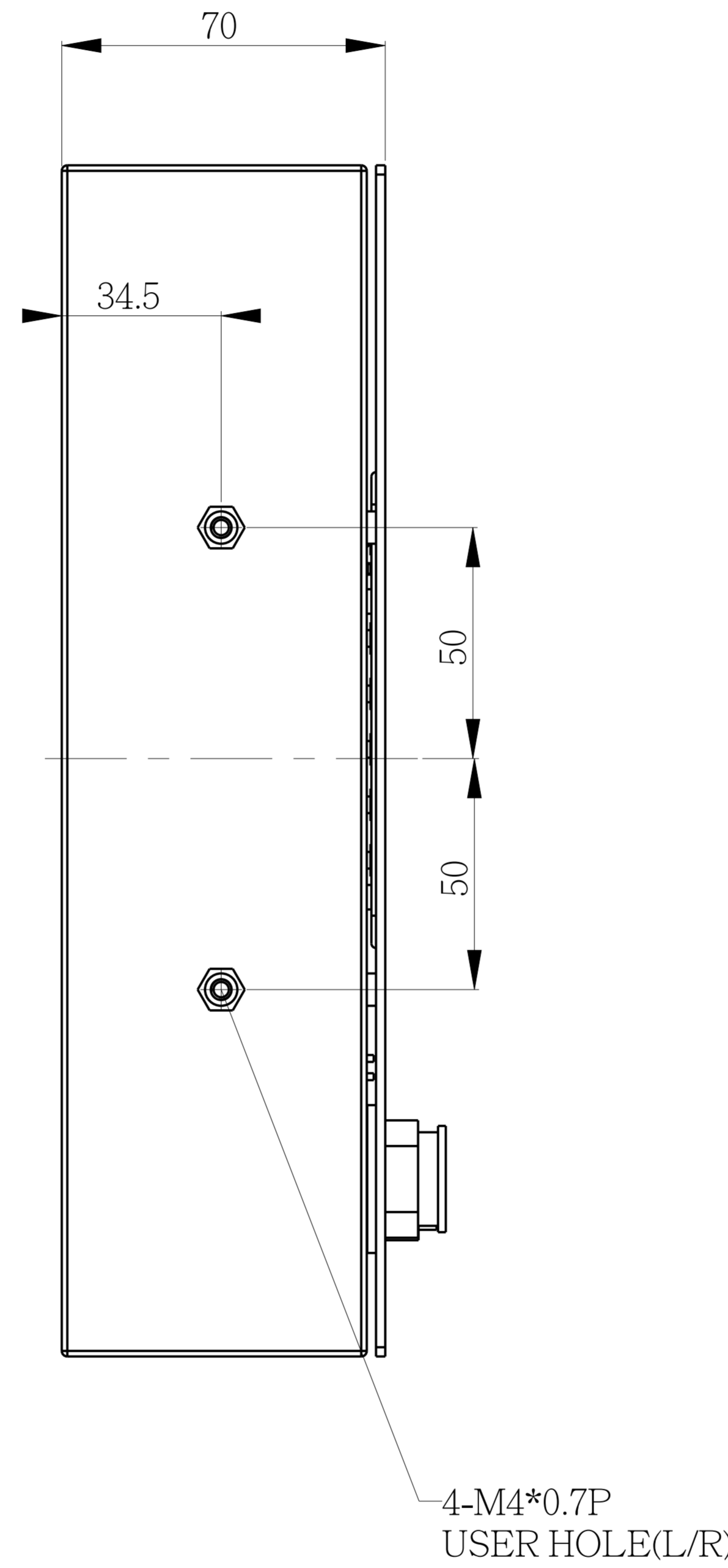
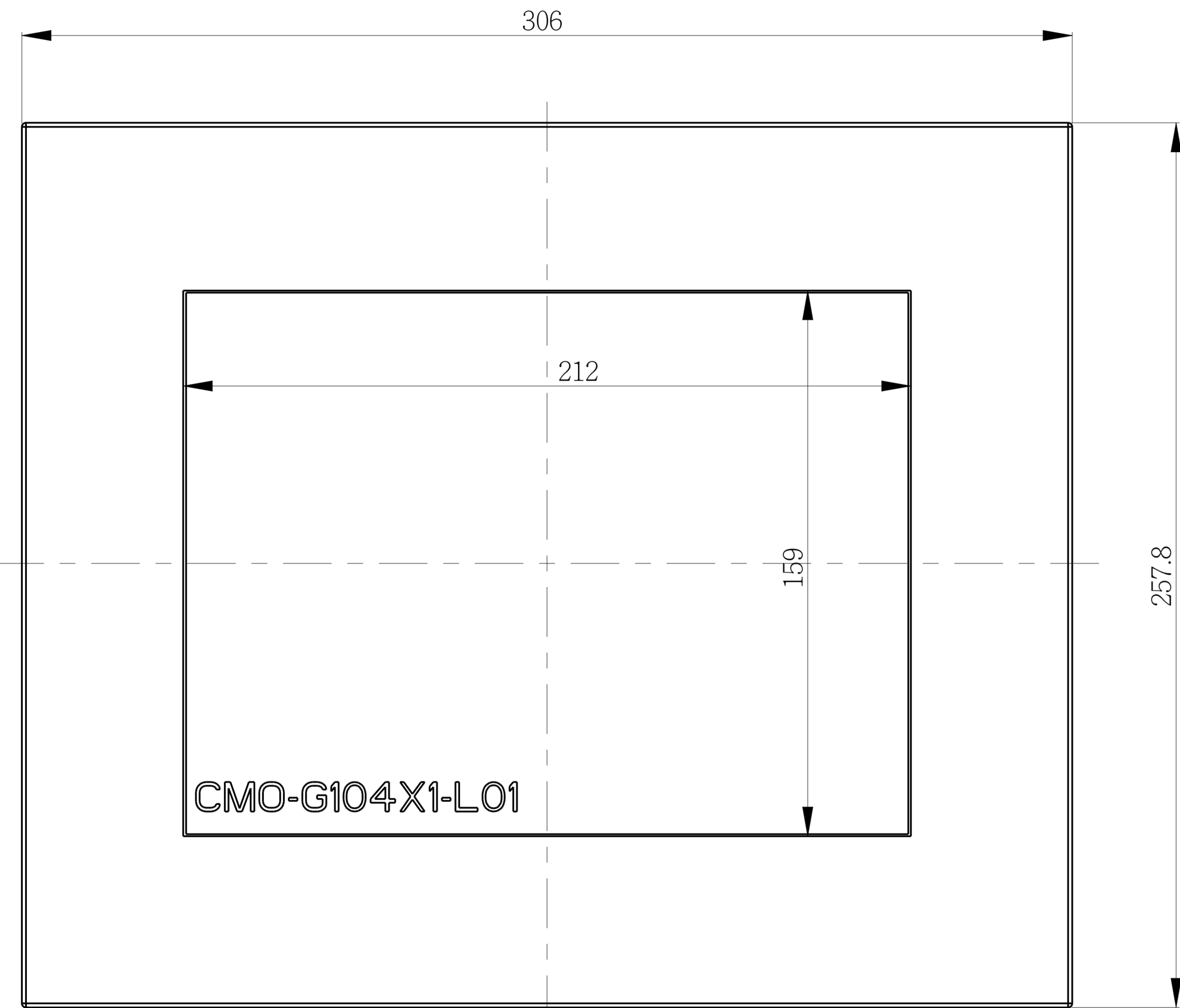
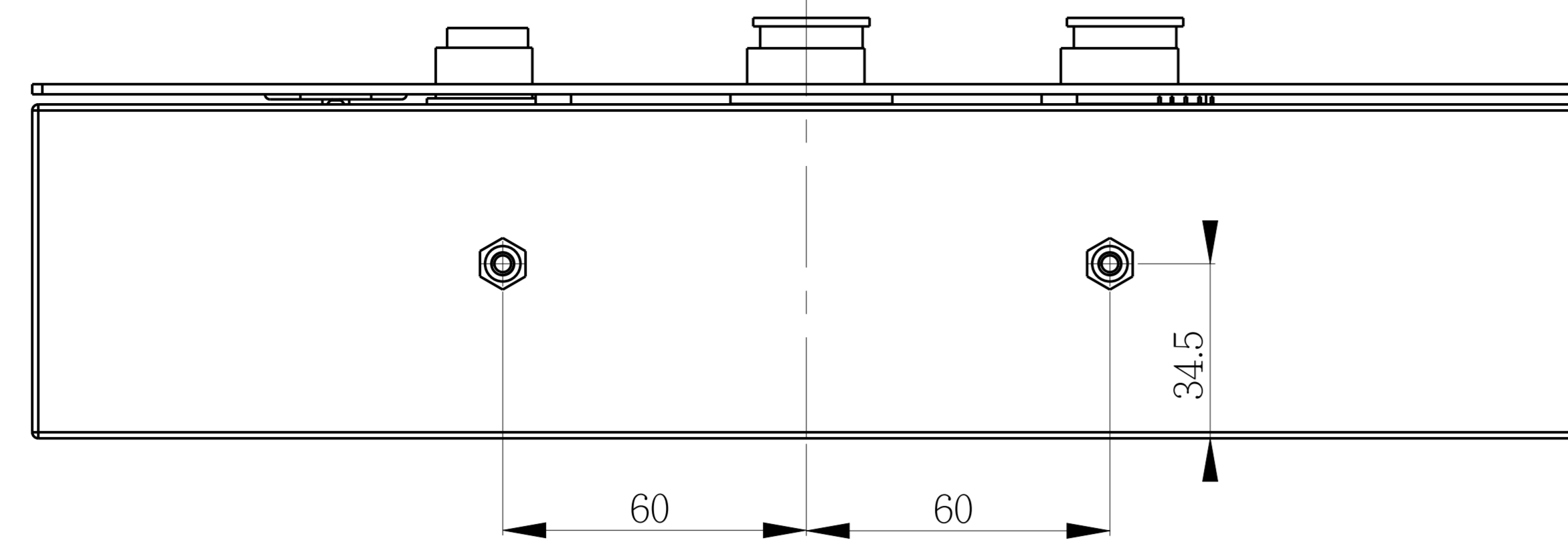
1

2

3

4

5



AD/BOARD	
INVERTER	
KEY PAD	
PANEL:	

MODEL	FCH1045		
PART NO.			
MATERIAL	METAL	DATE	2016-Sep-07

Winsonic Electronics. Co., Ltd.				
				SCALE
PART NAME	ASSEMBLY		DRAWN	Jack
APPROVED			UNIT	MM

1

2

3

4

5