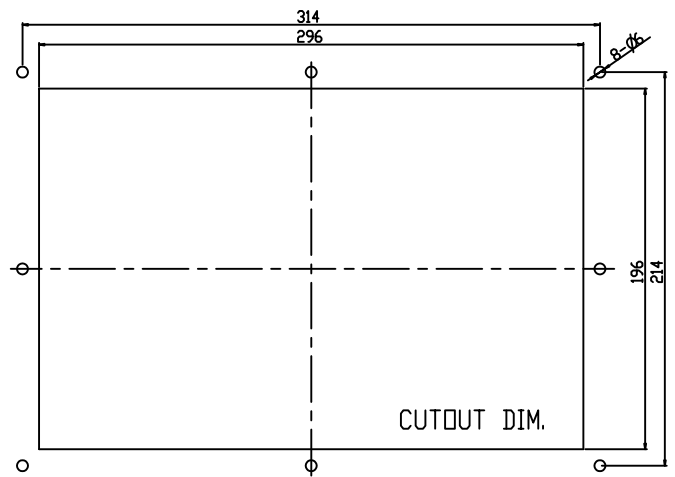


TOP VIEW



AD/BOARD		MODEL	IPM1016			泓瑜科技有限公司 WINSONIC TECH. CO., LTD.					
INVERTER											
KEY PAD						VERSION	MATERIAL	METAL	DATE	2012-Feb-01	APPROVED
PANEL:		D									

A

B

C

D

A

B

C

D

1

2

3

4

5

1

2

3

4

5